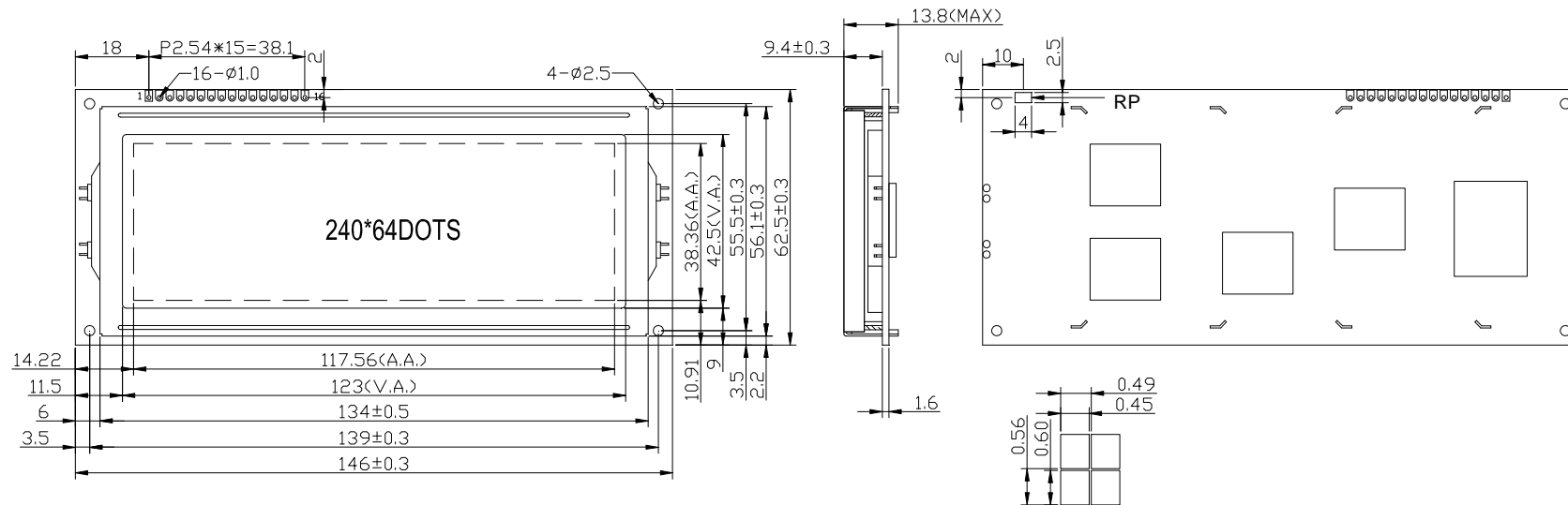


# DF-GLN0487---L1



## Feature

1. 240x 64 dots matrix graphic;
2. The LCD uses the RA8822P1N-S Series LCD Driver from SUNPLUS ,or equivalent controller.
3. 1/64 Duty cycle, 1/9 Bias.
4. Display Mode & Backlight Variations.
5. ROHS compliant.

## Pin connections

Pin no	1	2	3	4	5	6	7	8	9	10	11	12	13	14	15	16
Symbol	VSS	VDD	V0	RS	R/W	EN	DB0	DB1	DB2	DB3	DB4	DB5	DB6	DB7	LED+	LED-