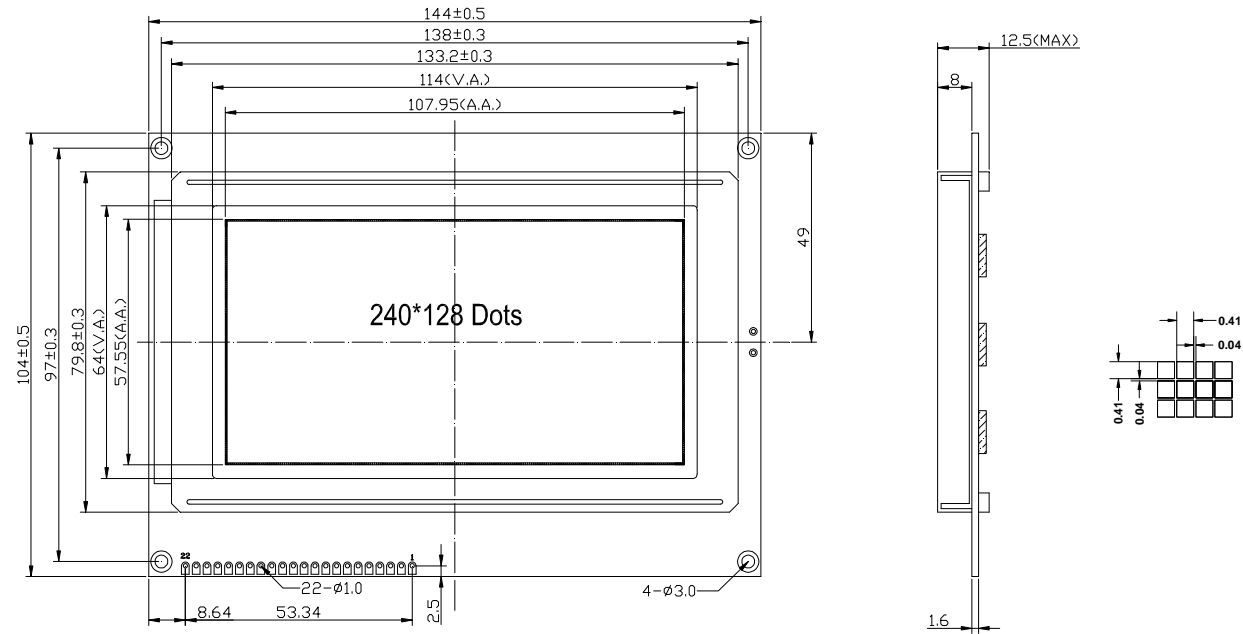


DF-GLN0482---L1



Feature

1. 240 x 128 dots matrix graphic;
2. The LCD uses the RA8863P2NA Series LCD Driver from SUNPLUS ,or equivalent controller.
3. 1/128 Duty cycle, 1/12 Bias.
4. Display Mode & Backlight Variations.
5. ROHS compliant.

Pin connections

Pin no	1	2	3	4	5	6	7	8	9	10	11	12	13	14	15	16	17	18	19	20	21	22
Symbol	VSS	VDD	V0	C/D	/RD	/WR	DB0	DB1	DB2	DB3	DB4	DB5	DB6	DB7	/CE	/RES	VEE	MD2	FS	LED+	LED+	LED-