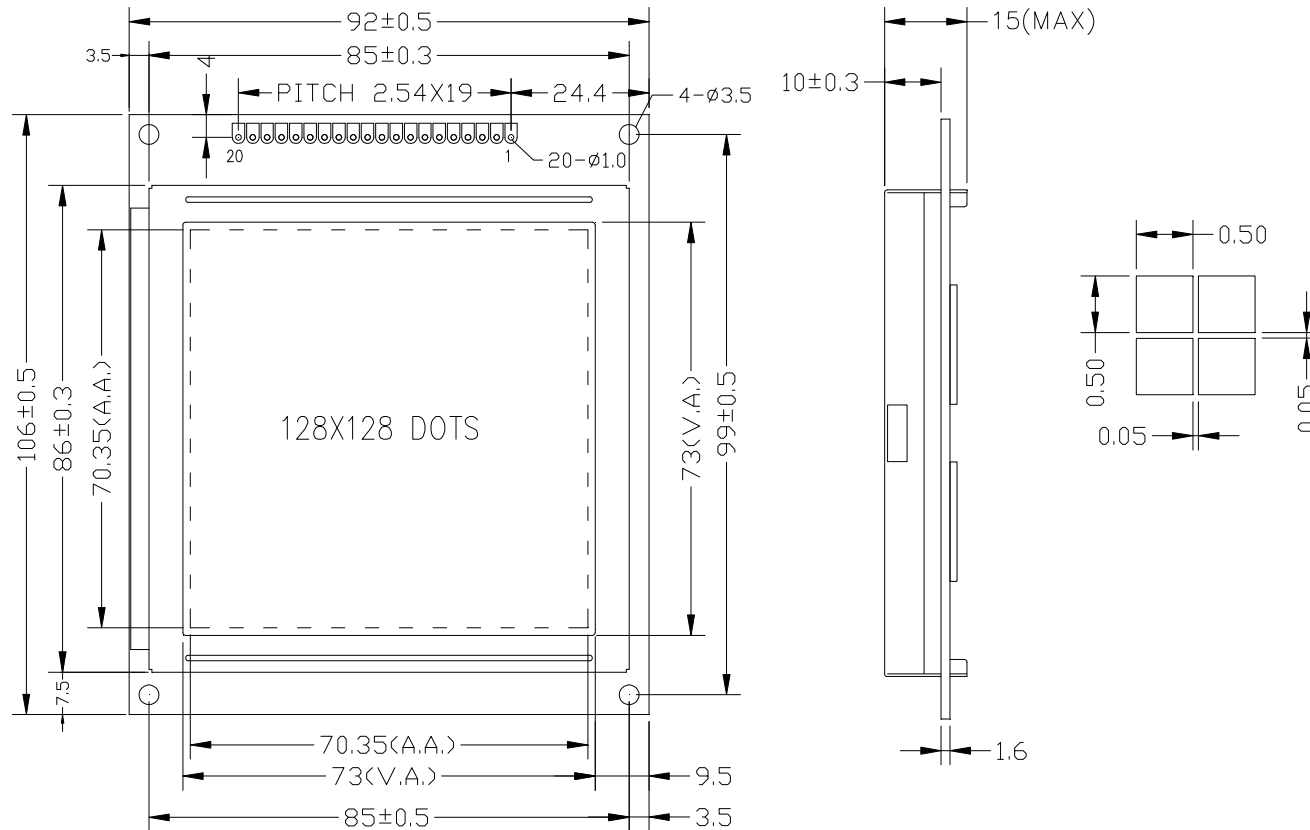


# DF-GLN0392---L1



## Feature

1. 128x 128 dots matrix graphic;
2. The LCD uses the T6963C Series LCD Driver from SUNPLUS ,or equivalent controller.
3. 1/128 Duty cycle, 1/12 Bias.
4. Display Mode & Backlight Variations.
5. ROHS compliant.

## Pin connections

Pin no	1	2	3	4	5	6	7	8	9	10	11	12	13	14	15	16	17	18	19	20
Symbol	FGND	VSS	VDD	V0	/RW	/RD	/CE	C/D	/RST	DB0	DB1	DB2	DB3	DB4	DB5	DB6	DB7	FS	A	K