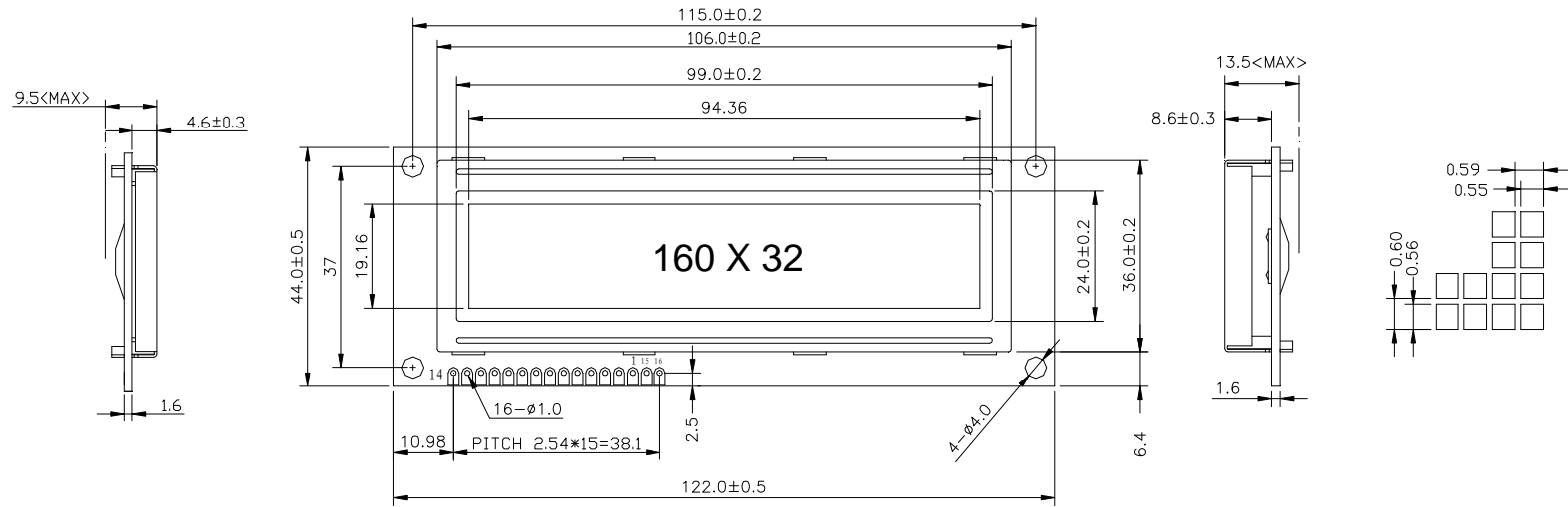


DF-GLN0379---L1



Feature

1. 160x 32 dots matrix graphic;
2. The LCD uses the ST7920 Series LCD Driver from SUNPLUS ,or equivalent controller.
3. 1/32 Duty cycle, 1/7 Bias.
4. Display Mode & Backlight Variations.
5. ROHS compliant.

Pin connections

Pin no	1	2	3	4	5	6	7	8	9	10	11	12	13	14	15	16
Symbol	VSS	VDD	NC	RS	R/W	E	DB0	DB1	DB2	DB3	DB4	DB5	DB6	DB7	LED+	LED-