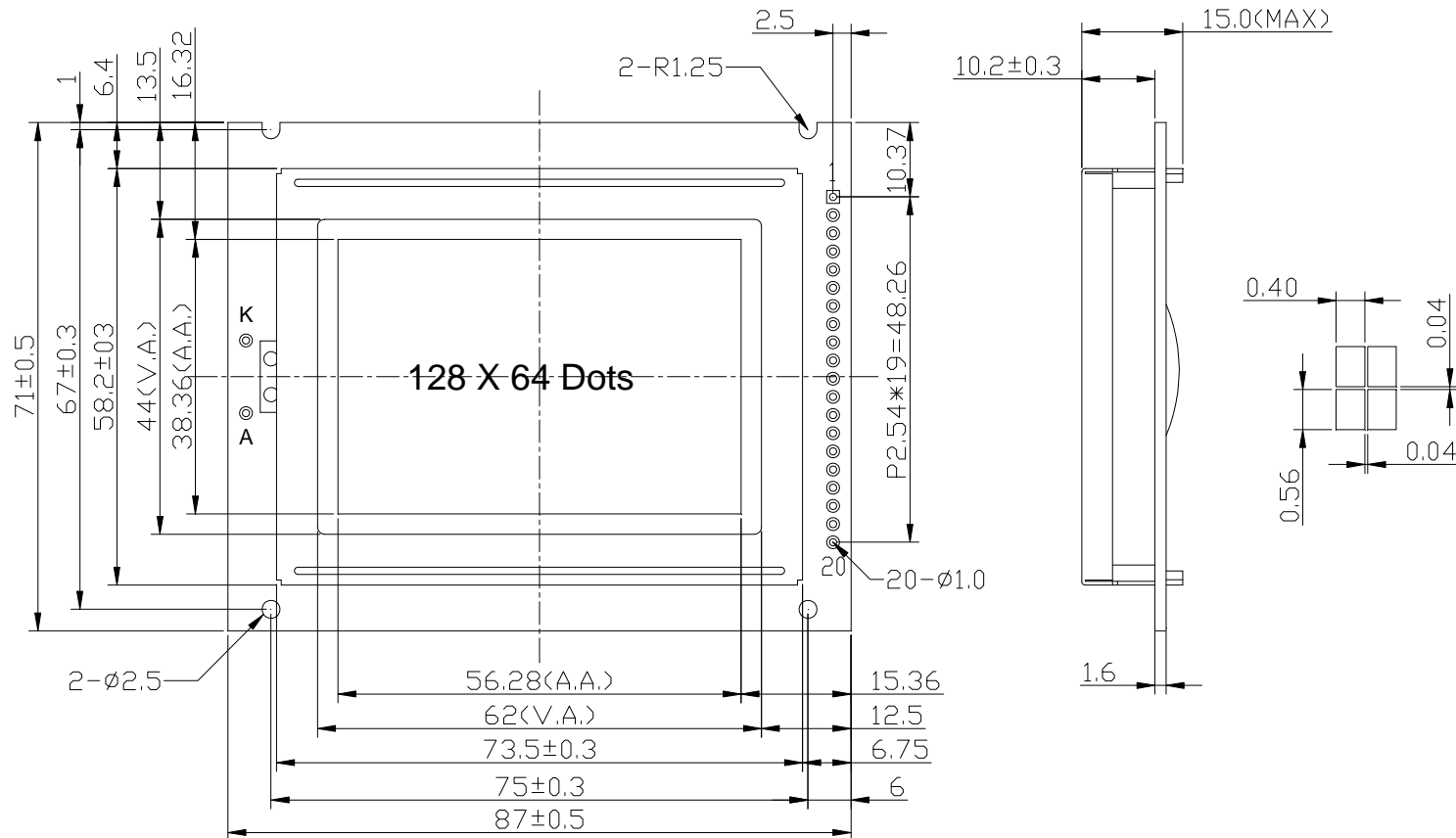


DF-GLN0268---L2



Feature

1. 128 x 64 dots matrix graphic;
2. The LCD uses the S6B0108B Series LCD Driver from SUNPLUS ,or equivalent controller.
3. 1/64 Duty cycle, 1/9 Bias.
4. Display Mode & Backlight Variations.
5. ROHS compliant.

Pin connections

Pin no	1	2	3	4	5	6	7	8	9	10	11	12	13	14	15	16	17	18	19	20
Symbol	VSS	VDD	V0	D/I	R/W	E	DB0	DB1	DB2	DB3	DB4	DB5	DB6	DB7	/CS1	/RST	NC/VEE	/CS2	NC	NC