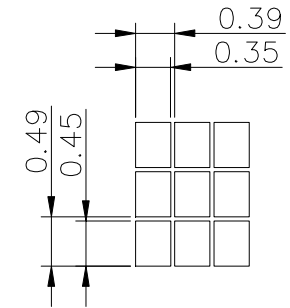
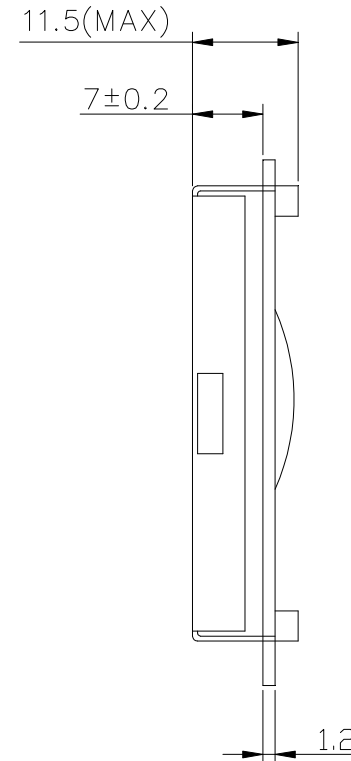
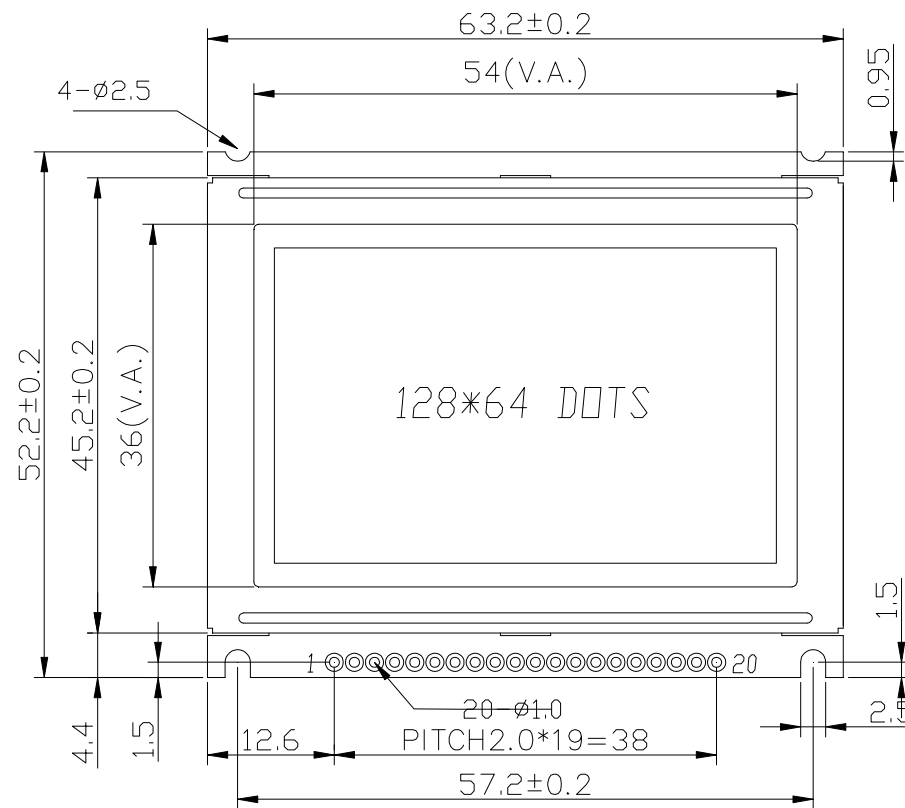


DF-GLN0256---L1



Feature

1. 128 x 64 dots matrix graphic;
2. The LCD uses the NT7108C Series LCD Driver from SUNPLUS ,or equivalent controller.
3. 1/64 Duty cycle, 1/9 Bias.
4. Display Mode & Backlight Variations.
5. ROHS compliant.

Pin connections

Pin no	1	2	3	4	5	6	7	8	9	10	11	12	13	14	15	16	17	18	19	20
Symbol	VDD	VSS	V0	DB0	DB1	DB2	DB3	DB4	DB5	DB6	DB7	CS2	CS1	RES	RW	D/I	E	VSS	LED+	LED-