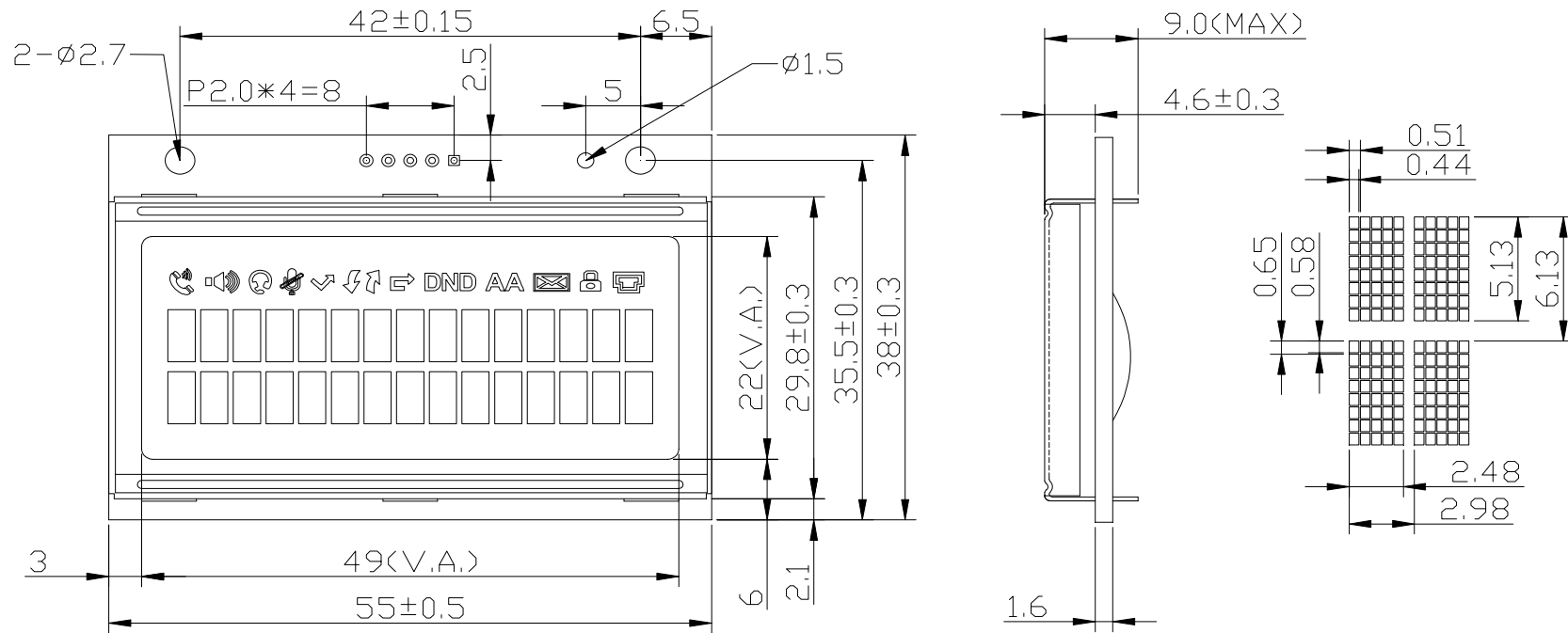


DF-CLN0211---L1



Feature

1. 15 Character x 2 line Character format; 5 x 7 dots + 1-Cursor line.
2. The LCD uses the ST7070 Series LCD Driver from SUNPLUS ,or equivalent controller.
3. Interface With 4-bit or 8-bit MPU, 1/16 Duty cycle, 1/5 Bias.
4. Display Mode & Backlight Variations.
5. ROHS compliant.

Pin connections

Pin no	1	2	3	4	5
Symbol	VSS	VDD	SI	SCL	CS