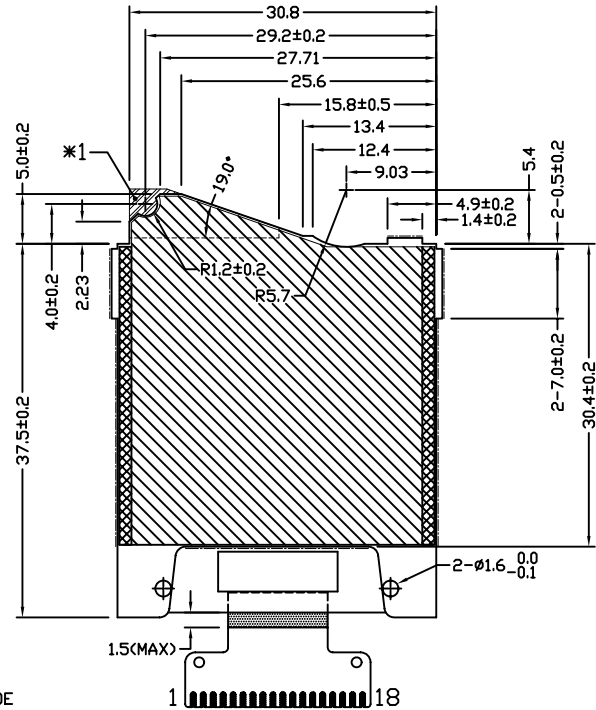
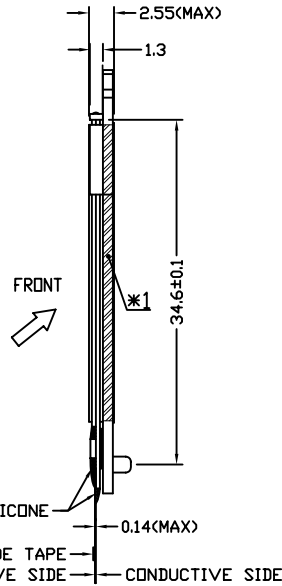


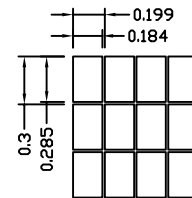
MISSIVENOTES:

- 1. DISPLAY TYPE: FSTN
- 2. VIEWING DIRECTION: 6:00
- 3. POLARIZER MODE: TRANSMISSIVE/POSITIVE
- 4. LOGIC VOLTAGE: 2.8V
- 5. LCD OPERATING VOLTAGE: 8.9V
- 6. DRIVE METHOD: 1/65 DUTY 1/9 BIAS
- 7. OPERATING TEMP.: -20°C-+70°C
- 8. STORAGE TEMP.: -30°C-+80°C
- 9. CONTROLLER: ST7565S
- 10. WITH LED BACKLIGHT (DIES ON CUSTOMER'S BOARD)
- 11. UNMARKED TOLERANCES: ±0.3mm
- 12. \*1 SHOWS ALF

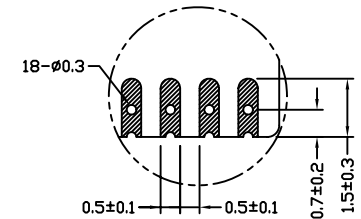


NO.	PIN
1	/CS1
2	/RES
3	A0
4	SCL
5	SI
6	VDD
7	VSS
8	VOUT
9	C3N
10	C1P
11	C1N
12	C2N
13	C2P
14	V1
15	V2
16	V3
17	V4
18	V5

DETAIL A:



DETAIL B:



DOUBLE SIDE TAPE

ALF

REFLECTOR

MULTI-INNO TECHNOLOGY CO.,LTD.

DRAWN BY:	TITLE:MI12864AB-G-2	
CHECKED BY:	DWG NO: G-1	
APPROVED BY:	DWG NAME:MI12864AB-G-2 G-1	UNIT: mm
CONFIRMED BY:	SHEET NO: 1 OF 1	