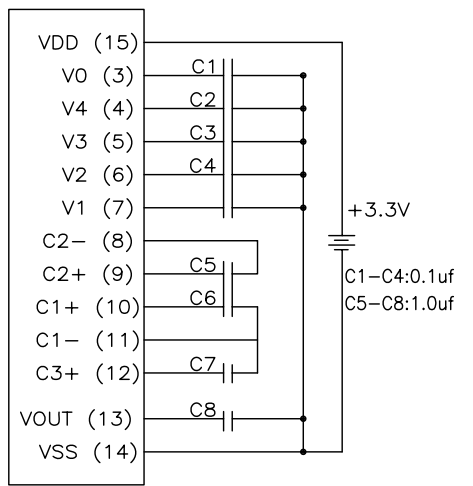
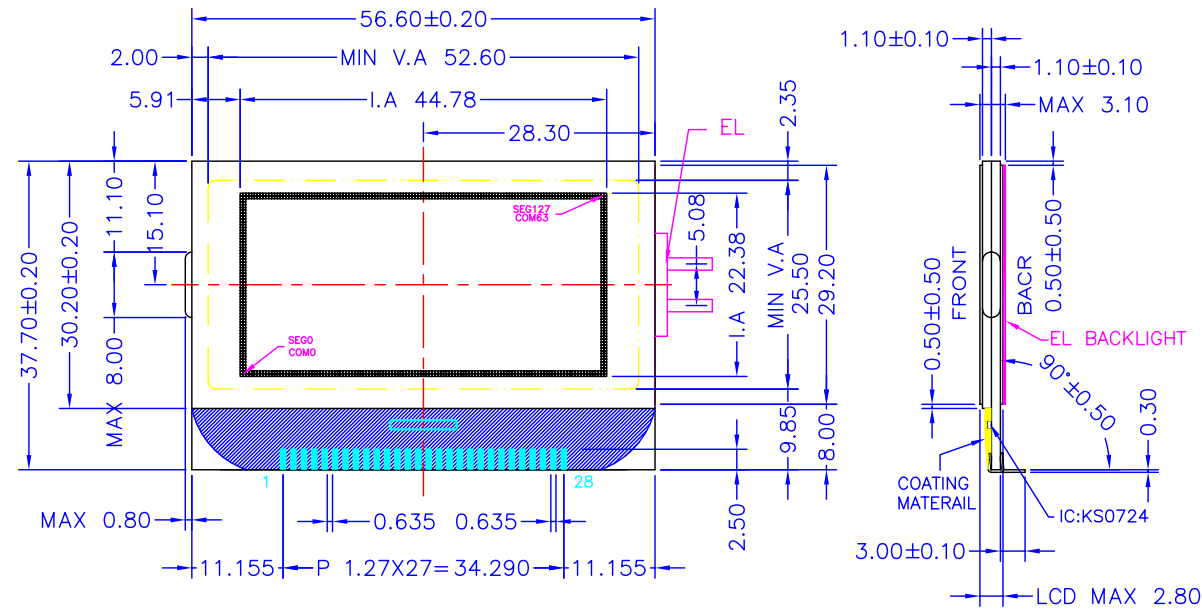


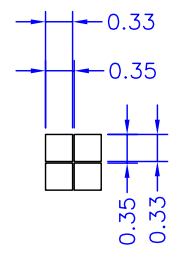
REV.	BY.	DESCRIPTION	DATE
A	LINA	RELEASED	02/12/04

PIN CONNECTION

PIN	SYMBOL	FUNCTIONS	
1	PS	PARALLEL/SERIAL DATA INPUT SELECT INPUT	
2	C68	H:6800 MPU, L:8080 MPU	
3	V0	LCD DRIVING VOLTAGE	
4	V4		
5	V3		
6	V2		
7	V1		
8	CAP2-	INTERNAL DC-DC VOLTAGE CONVERTER	
9	CAP2+		
10	CAP1+		
11	CAP1-		
12	CAP3+		
13	VOUT		
14	VSS	0V	POWER SUPPLY
15	VDD	+5	
16	DB7	DATA BUS LINES	
17	DB6		
18	DB5		
19	DB4		
20	DB3		
21	DB2		
22	DB1		
23	DB0		
24	RD	DATA READ	
25	WR	DATA WRITE	
26	RS	REGISTER SELECT SIGNAL	
27	/RESET	HARDWARE RESET INPUT	
28	/CS	CHIP SELECT INPUT	



- NOTES:
- LCD TYPE: FSTN(GRAY)/POSITIVE;
 - POLARIZER TYPE: TRANSFLECTIVE;
 - VIEW DIRECTION: 6:00;
 - DRIVE MODE: 1/64 DUTY, 1/9 BIAS;
 - OPERATING VOLTAGE: 9.5V;
 - OPERATION TEMPERATURE: -20°C TO 70°C;
 - STORAGE TEMPERATURE: -30°C TO 80°C;
 - DRIVE IC: KS0724
 - EL BACKLIGHT COLOR: BLUE
 - VDD: 3.3V



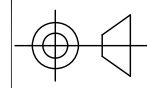
TOLERANCE	
>0~6 ±0.10	>120~300 ±0.50
>6~30 ±0.20	>300~500 ±0.80
>30~120 ±0.30	>500 ±1.20
// ⊥ ◎ ±0.10; ANGLE: ±3.0°	

REV: A	
SHEET: 1 OF 1	
SCALE: N.T.S.	UNITS: MM
APPROVALS	
DWN	Lina
CHK	
APP	
DATE: Feb-12	



广州市龙宇电子有限公司
Kingtronics Display Technologies Ltd., Co.

DRAWING NO:
128644MOD



MODEL NUMBER :
KGC128644
DATE:
12-Feb-2004

DO NOT SCALE THIS DRAWING. PROJECTION