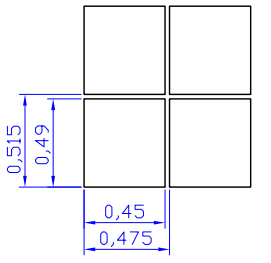
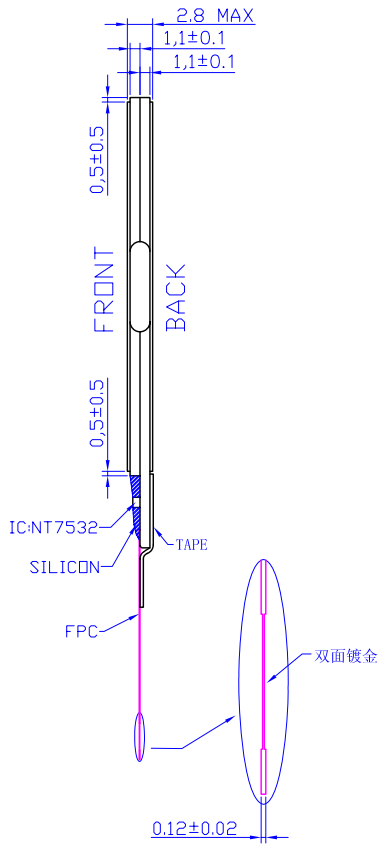
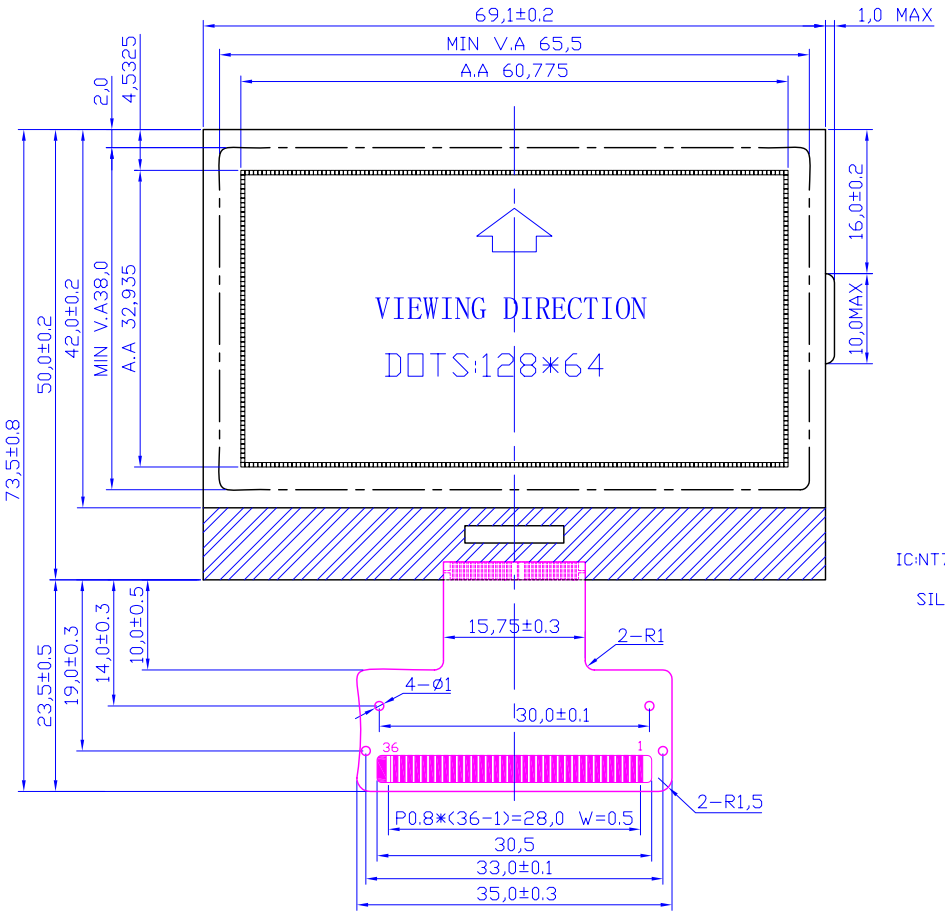


REV.	DESCRIPTION	DATE
A	RELEASED	05/08/05



DETAIL DOTS

1	NC	19	C3+
2	NC	20	C1-
3	CS1	21	C1+
4	RES	22	C2+
5	A0	23	C2-
6	R/W	24	NC
7	E/RD	25	V1
8	D0	26	V2
9	D1	27	V3
10	D2	28	V4
11	D3	29	V0
12	D4	30	VR
13	D5	31	NC
14	D6	32	C86
15	D7	33	P/S
16	VDD	34	NC
17	VSS	35	IRS
18	VOUT	36	NC

SPECIFICATIONS

BACK POLARIZER : TRANSMISSIVE(TRANSFLECTIVE),ADHESIVE  
 OPERATING TEMP : -10°C TO +60°C  
 STORAGE TEMP : -20°C TO +70°C  
 VIEWING DIRECTION : 6 O'CLOCK  
 DRIVE CONDITION : 1/64 DUTY, 1/9 BIAS, VOP 9.0 V  
 DISPLAY MODE : STN(Y-G), POSITIVE MODE  
 CUSTOMER P/N :  
 CONNECTION: FPC  
 DRIVER IC: NT7532

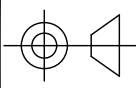
TOLERANCE		
>0~6	±0.10	>120~300 ±0.50
>6~30	±0.20	>300~500 ±0.80
>30~120	±0.30	>500 ±1.20
// ⊥ ◎ ±0.10; ANGLE: ±3.0°		

REV: A	
SHEET: 1 OF 1	
SCALE: 1:1	UNITS MM
N.T.S.	
APPROVALS	
DWN	LINA
DATE JUN-08	
CHK	
APP	



广州市龙宇电子有限公司  
Kingtronics Display Technologies Ltd., Co.

DRAWING NO:  
1286413MOD



MODEL NUMBER :  
KGC1286413  
DATE:  
08-JUN-2005

DO NOT SCALE THIS DRAWING. PROJECTION