

8

7

6

5

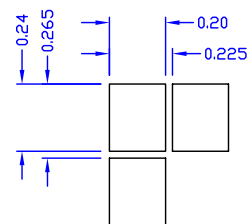
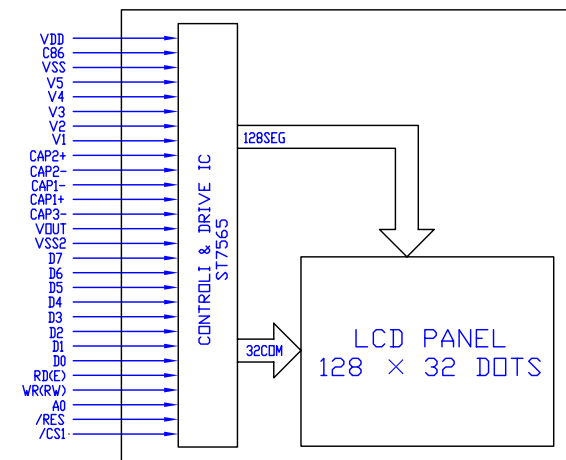
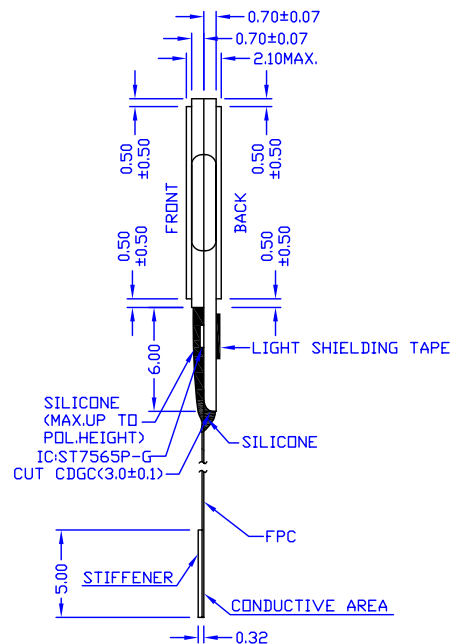
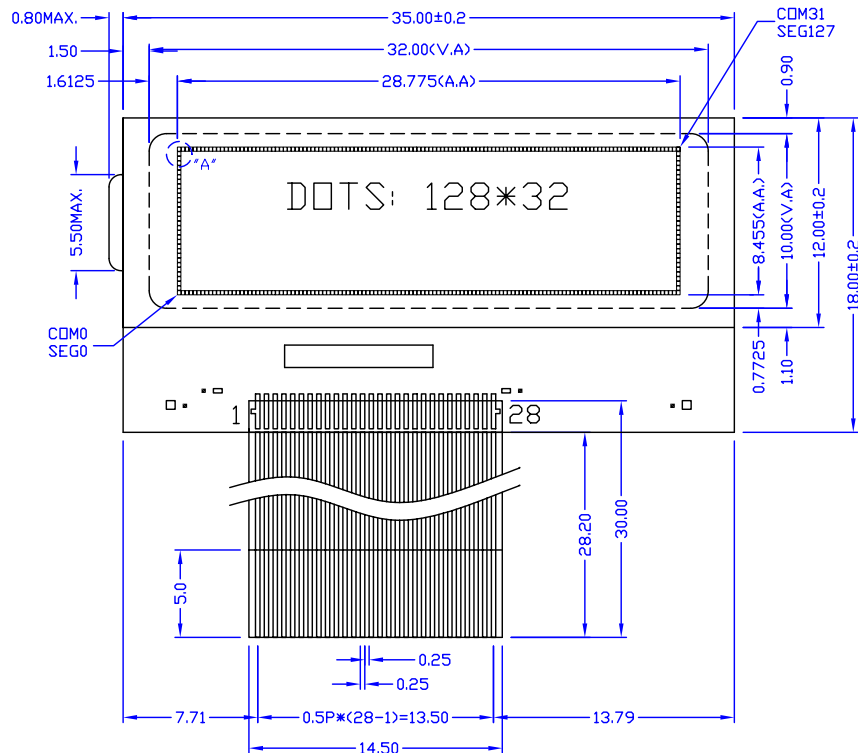
4

3

2

1

REV.	DESCRIPTION	DATE
A	RELEASED	04/10/04



PIN	DESC	PIN	DESC
1	VDD	15	VSS2
2	C86	16	D7
3	VSS	17	D6
4	V5	18	D5
5	V4	19	D4
6	V3	20	D3
7	V2	21	D2
8	V1	22	D1
9	CAP2+	23	D0
10	CAP2-	24	RD(E)
11	CAP1-	25	WR(RW)
12	CAP1+	26	A0
13	CAP3-	27	/RES
14	VDUT	28	/CS1

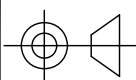
TOLERANCE		
>0~6	±0.10	>120~300 ±0.50
>6~30	±0.20	>300~500 ±0.80
>30~120	±0.30	>500 ±1.20
// ⊥ ◎ ±0.10; ANGLE: ±3.0°		

REV: A	
SHEET: 1 OF 1	
SCALE: N.T.S.	UNITS MM
APPROVALS	
DWN	Lina
CHK	
APP	
DATE APR-30	



广州市龙宇电子有限公司  
Kingtronics Display Technologies Ltd., Co.

DRAWING NO:  
128321MOD



MODEL NUMBER :  
KG128321  
DATE:  
10-APR-2004

5

4

3

2

1

D

C

B

A

D

C

B

A