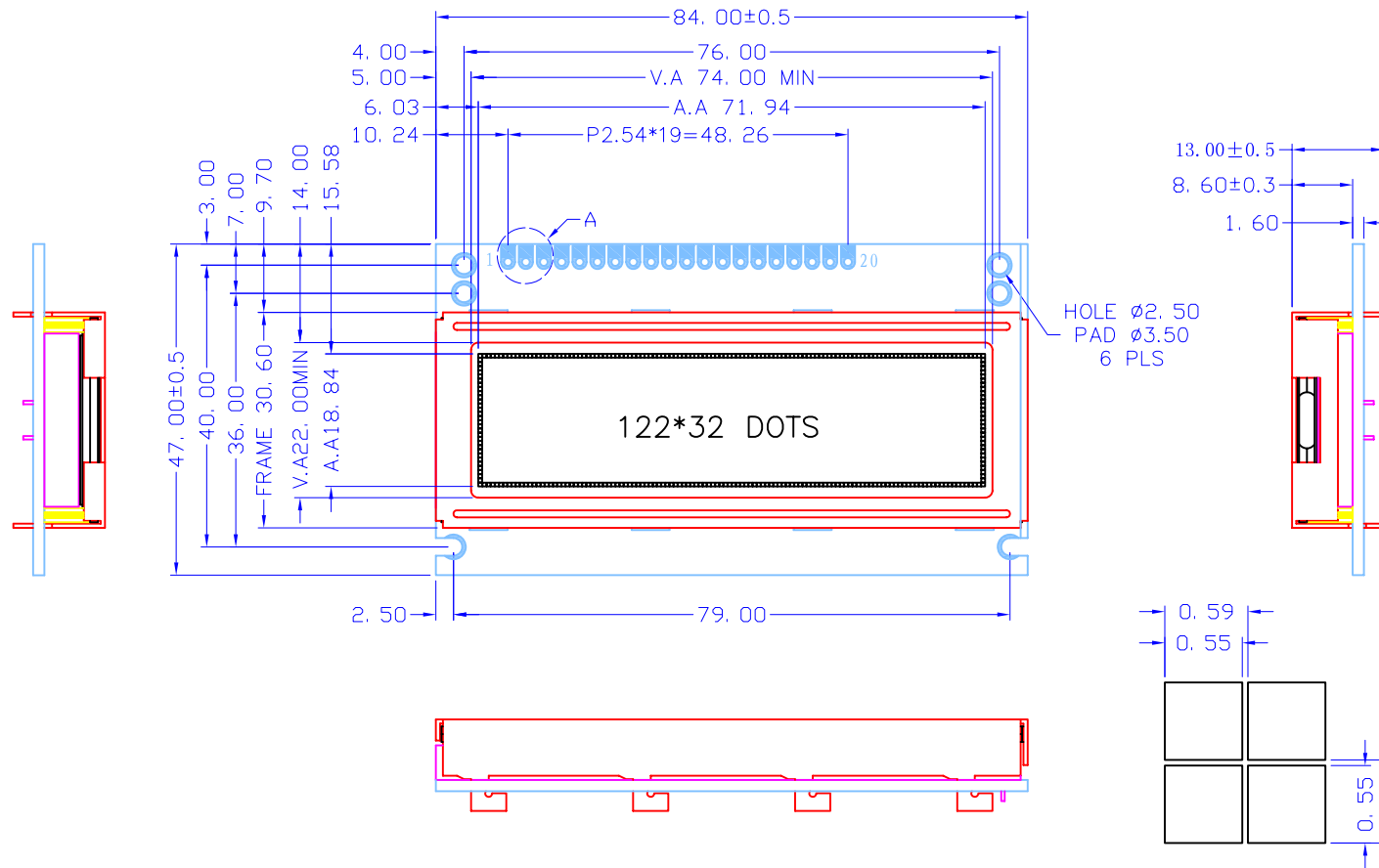


| REV. | DESCRIPTION | BY | DATE |
|------|-------------|------|----------|
| A | RELEASED | Lina | 04/21/05 |
| B | ECO#0034 | Lina | 07/25/05 |

| PIN ASSIGNMENT | | | |
|----------------|-----------|-------|------------------------------|
| PIN# | SYMBOL | LEVEL | FUNCTION |
| 1 | Vss | -- | GND(0V) |
| 2 | Vdd | -- | DC +5V |
| 3 | V0 | H/L | CONTRAST ADJUST |
| 4 | A0 | H/L | DATA/INSTRUCTION CODE |
| 5 | NC | | |
| 6 | NC | | |
| 7 | E1 | H/L | ENABLE SIGNAL IC1 |
| 8 | E2 | H/L | ENABLE SIGNAL IC2 |
| 9 | R/W(WR) | H/L | R/W:68 SERIAL,/WR:80 SERIAL |
| 10 | DB0 | H/L | DATA BIT 0 |
| 11 | DB1 | H/L | DATA BIT 1 |
| 12 | DB2 | H/L | DATA BIT 2 |
| 13 | DB3 | H/L | DATA BIT 3 |
| 14 | DB4 | H/L | DATA BIT 4 |
| 15 | DB5 | H/L | DATA BIT 5 |
| 16 | DB6 | H/L | DATA BIT 6 |
| 17 | DB7 | H/L | DATA BIT 7 |
| 18 | RST(/RST) | H/L | RST:68 SERIAL,/RST:80 SERIAL |
| 19 | A | -- | LED+ |
| 20 | K | -- | LED- |



DETAIL DOTS


DETAIL A

NOTES:

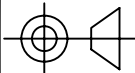
- LCD TYPE: STN/POSITIVE
- VIEWING DIRECTION: 6:00
- POLARIZER: TRANSFLECTIVE
- DRIVE METHOD: 1/32 DUTY; 1/6 BIAS
- VOLTAGE: VDD 5.0V
- OPERATING TEMPERATURE: -20°C TO +70°C.
- STORAGE TEMPERATURE: -30°C TO +80°C.
- CONNECTOR: ZEBRA
- BACKLIGHT: LED/ARRAY (YELLOW-GREEN)

| TOLERANCE | | |
|----------------------------|-------|----------------|
| >0~6 | ±0.10 | >120~300 ±0.50 |
| >6~30 | ±0.20 | >300~500 ±0.80 |
| >30~120 | ±0.30 | >500 ±1.20 |
| // ⊥ ◎ ±0.10; ANGLE: ±3.0° | | |

| | |
|------------------|-------------|
| REV: B | |
| SHEET: 1 OF 1 | |
| SCALE: N.T.S. | UNITS MM |
| APPROVALS | |
| DWN | Lina |
| CHK | |
| APP | |



广州市龙宇电子有限公司
Kingtronics Display Technologies Ltd., Co.

| | |
|-----------------------------|---|
| DRAWING NO: 122327MOD |  |
| DO NOT SCALE THIS DRAWING. | |
| MODEL NUMBER : KGB122327 | |
| DATE: 25-Jul-2005 | |

D
C
B
A

D
C
B
A