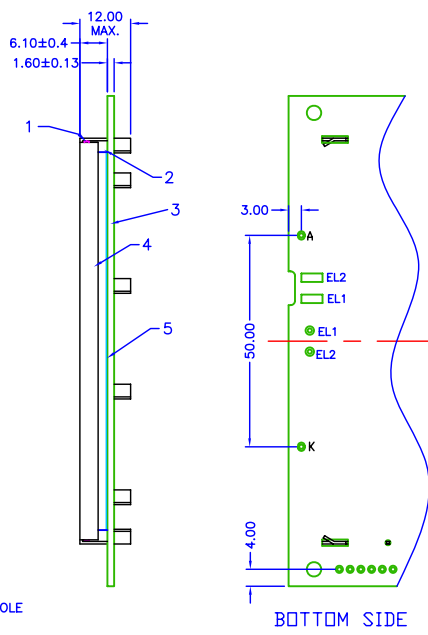
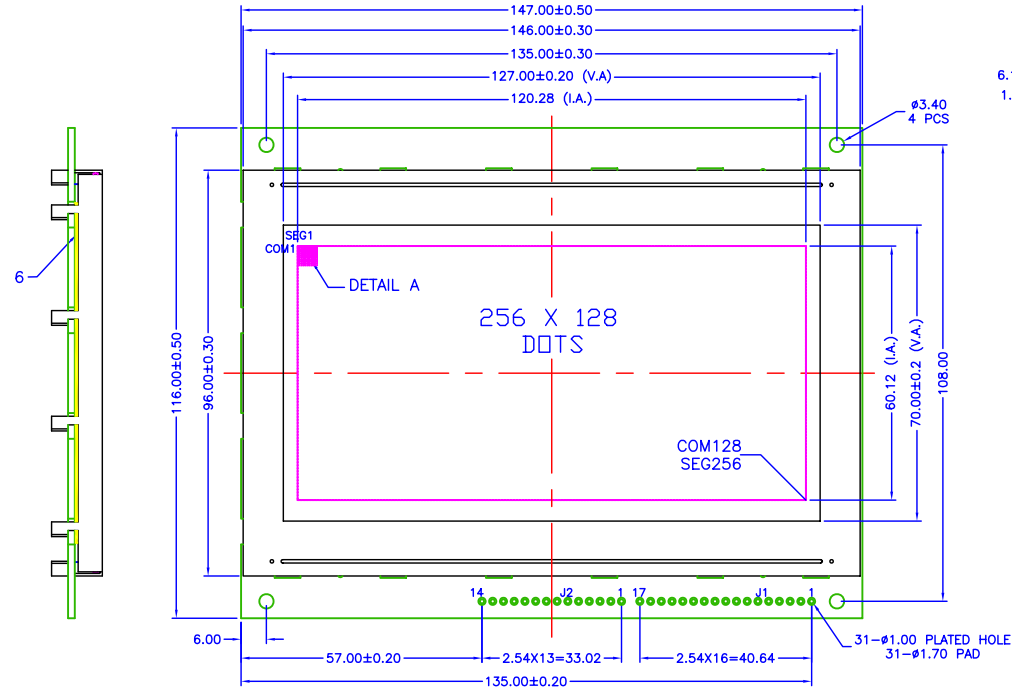


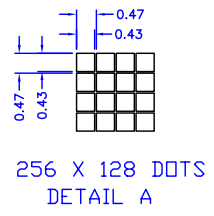
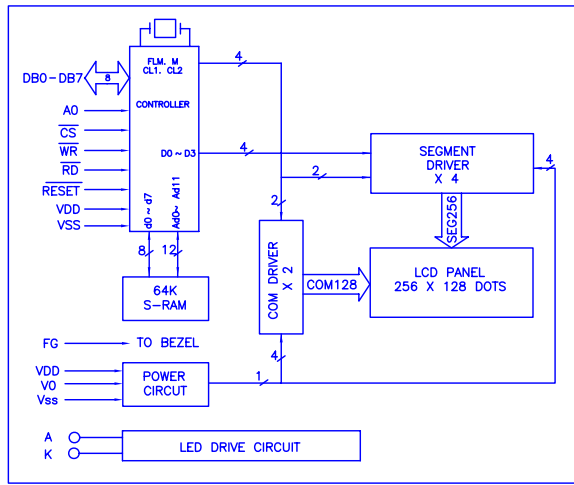
REV.	DESCRIPTION	BY	DATE
B	ECO#0071	XLN	12/29/05



Without Controller: J2 With Controller: J1

CONNECTOR		CONNECTOR	
PIN#	SYMBOL	PIN#	SYMBOL
1	V _{dd} (5V)	1	FG
2	V _{ss} (GND)	2	V _{ss} (GND)
3	V _o (-12.1V)	3	V _{dd} (5V)
4	CL1	4	V _o (-12.1V)
5	M	5	/RES
6	NC	6	(/RD)/E
7	NC	7	(/WR)/(R/W)
8	FLM	8	/CS
9	CL2	9	A0
10	NC	10	DB0
11	D0	11	DB1
12	D1	12	DB2
13	D2	13	DB3
14	D3	14	DB4
		15	DB5
		16	DB6
		17	DB7

- NOTES:
1. ALL DIMENSIONS IN MM
 2. DRIVE METHOD: 1/128 MUX; 1/12 BIAS
 3. CONNECTOR: ZEBRA & HEAT SEAL
 4. REFER TO MODULE PRODUCT SPECIFICATION FOR SPECIFIC CONFIGURATIONS AND BILL OF MATERIALS



6	256128AHSC	HEAT SEAL CONNECTOR	1		
5	256128ALED-1	LED PANEL	1		COLOR: WHITE
4	256128ABZL-2	METAL FRAME	1	COLD ROLLED STEEL	
3	256128BPCB	PCB ASSEMBLY	1	FR4	
2	256128AZBR	ZEBRA	2		
1	256128ALCD-X	LCD DISPLAY	1		
Item	Drawing No.	Name	QTY.	Spec/Material	Notes

TOLERANCE		
>0~6	±0.10	>120~300 ±0.50
>6~30	±0.20	>300~500 ±0.80
>30~120	±0.30	>500 ±1.20
// ⊥ ◎ ±0.10; ANGLE: ±3.0°		

REV: B
SHEET: 1 OF 1
SCALE: N.T.S. UNITS: MM

APPROVALS: DWN Lina DATE: Dec-29

DRAWING NO: 256128BMOD

DO NOT SCALE THIS DRAWING. PROJECTION

广州市龙宇电子有限公司
Kingtronics Display Technologies Ltd., Co.

MODEL NUMBER: KG256128B
DATE: 29-Dec-2005