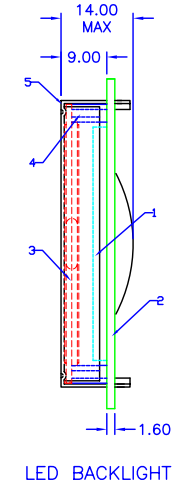
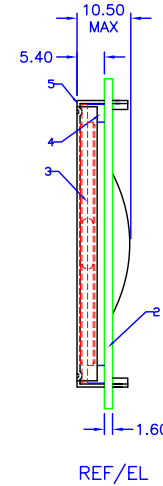
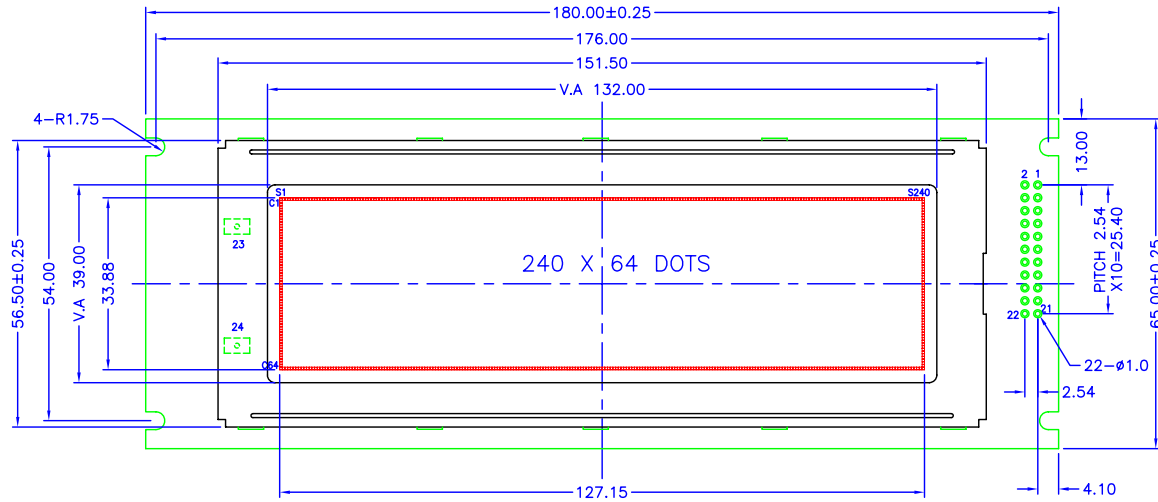
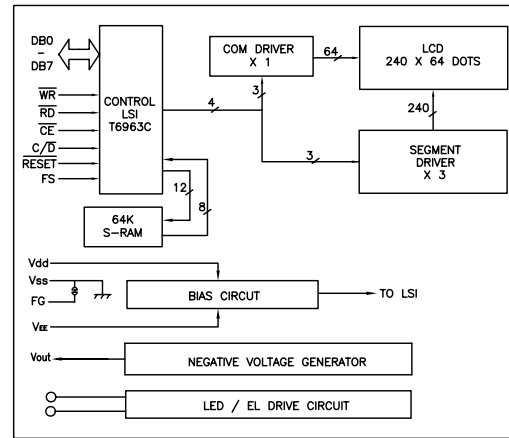


REV.	DESCRIPTION	BY	DATE
-	RELEASED	M.L	03/03/05



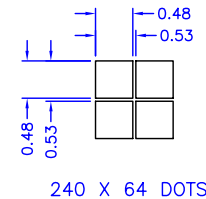
CONNECTOR PINOUT			
PIN#	SYMBOL	LEVEL	FUNCTIONS
1	FG		FRAME GROUND
2	V _{ss}		POWER SUPPLY (OV GND)
3	V _{cc}		POWER SUPPLY FOR LOGIC
4	V _{cc}		POWER SUPPLY FOR LCD DRIVE
5	WR	L	WRITE SIGNAL ("L" ACTIVE)
6	RD	L	READ SIGNAL ("L" ACTIVE)
7	CE	L	CHIP ENABLE SIGNAL ("L" ACTIVE)
8	C/D	H/L	WRITE MODE H: COMMAND WRITE L: DATA WRITE READ MODE H: STATUS READ L: DATA READ
9	NC		NO CONNECTION
10	RESET	H/L	RESET SIGNAL ("L" RESET)
11	DB0	H/L	DISPLAY DATA 0
12	DB1	H/L	DISPLAY DATA 1
13	DB2	H/L	DISPLAY DATA 2
14	DB3	H/L	DISPLAY DATA 3
15	DB4	H/L	DISPLAY DATA 4
16	DB5	H/L	DISPLAY DATA 5
17	DB6	H/L	DISPLAY DATA 6
18	DB7	H/L	DISPLAY DATA 7
19	FS	H/L	FONT SWITCH
20	NC		NO CONNECTION



PIN NO.	EL TYPE	LED TYPE
21	POWER SUPPLY FOR EL	POWER SUPPLY FOR LED +
22	POWER SUPPLY FOR EL	POWER SUPPLY FOR LED -
23	POWER SUPPLY FOR EL	POWER SUPPLY FOR LED +
24	POWER SUPPLY FOR EL	POWER SUPPLY FOR LED -

NOTES:

- ALL DIMENSIONS ARE MILLIMETRE
- REFER TO MODULE PRODUCT SPECIFICATION FOR SPECIFIC CONFIGURATIONS AND BILL OF MATERIALS



5	24064ABZL	Bezel	1	COLD ROLLED STEEL	
4	24064AZBR	ZEBRA	2		
3	24064ALCD-X	LC Display	1		
2	24064APCB	PCB	1	FR4	
1	24064ALED	LED BACKLIGHT	1		
ITEM	DRAW NO.	NAME	QTY.	SPEC/MATERIAL	NOTES

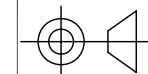
TOLERANCE			
>0~6	±0.10	>120~300	±0.50
>6~30	±0.20	>300~500	±0.80
>30~120	±0.30	>500	±1.20
// ⊥ ◎ ±0.10; ANGLE: ±3.0°			

REV: -
SHEET: 1 OF 1
SCALE: N.T.S.
UNITS: MM
APPROVALS: DWN Maggie
DATE: Mar-03
CHK: APP



广州市龙宇电子有限公司
Kingtronics Display Technologies Ltd., Co.

DRAWING NO:
24064AMOD



MODEL NUMBER :
KG24064A
DATE:
03-MAR-2005

DO NOT SCALE THIS DRAWING. PROJECTION