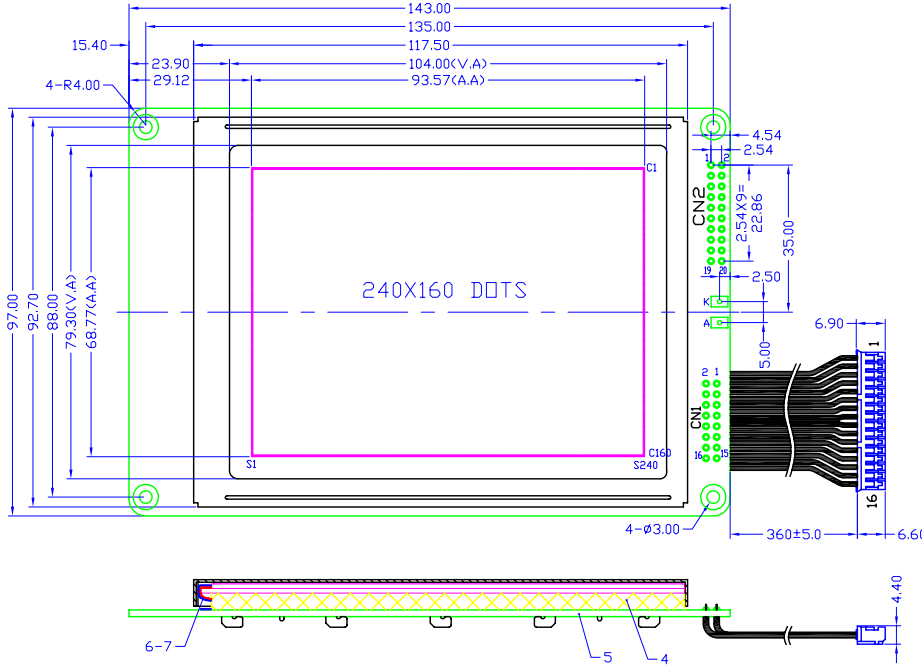


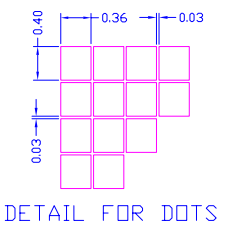
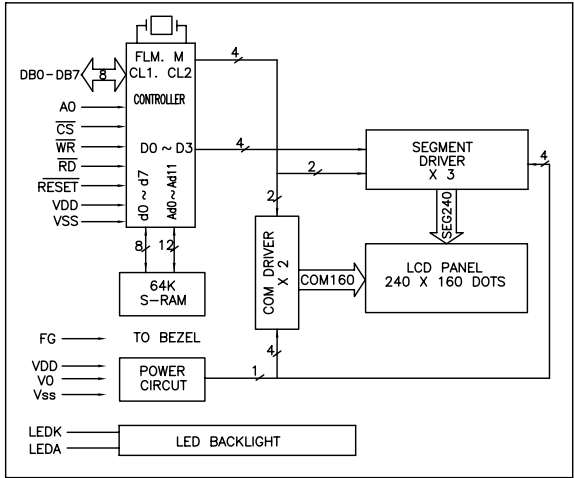
| REV. | DESCRIPTION | BY | DATE |
|------|-------------|------|----------|
| - | RELEASED | M.L | 11/21/05 |
| A | ECO#0063 | XLN | 12/09/05 |
| B | ECO#060304 | Lina | 03/07/06 |



| CONNECTOR PINOUT | | | |
|------------------|--------|----------|---|
| PIN# | SYMBOL | LEVEL | FUNCTIONS |
| 1 | LEDA | H/L | POWER SUPPLY FOR LED(+) |
| 2 | LEDK | H/L | POWER SUPPLY FOR LED(-) |
| 3 | FLM | H/L | FRAME PULSE |
| 4 | M | H/L | ALTERNATE SIGNAL FOR LCD DRIVE |
| 5 | LP | H/L | LATCH PULSE |
| 6 | XSCL | H/L | X-DRIVER DATA SHIFT CLOCK |
| 7 | YDIS | H/L | POWER-DOWN SIGNAL WHEN DISPLAY IS BLANKED |
| 8 | XD0 | H/L | X-DRIVER DATA 0 |
| 9 | XD1 | H/L | X-DRIVER DATA 1 |
| 10 | XD2 | H/L | X-DRIVER DATA 2 |
| 11 | XD3 | H/L | X-DRIVER DATA 3 |
| 12 | Vdd | 5V | POWER SUPPLY FOR LOGIC |
| 13 | GND | 0V | POWER SUPPLY (0V GND) |
| 14 | Vee | -1.8V | NEGATIVE VOLTAGE I/O & LED(K) |
| 15 | Vo | -15~-18V | CONTRAST ADJUST VOLTAGE |
| 16 | GND | 0V | POWER SUPPLY (0V GND) |

| CN2 PINOUT | |
|------------|--------|
| PIN# | SYMBOL |
| 1 | FG |
| 2 | Vss |
| 3 | Vdd |
| 4 | VO |
| 5 | Vee |
| 6 | /RES |
| 7 | /RD |
| 8 | /WR |
| 9 | /CS |
| 10 | A0 |
| 11 | D0 |
| 12 | D1 |
| 13 | D2 |
| 14 | D3 |
| 15 | D4 |
| 16 | D5 |
| 17 | D6 |
| 18 | D7 |
| 19 | LEDA |
| 20 | LEDK |

- NOTES:
- ALL DIMENSIONS IN mm.
 - DRIVE METHOD: 1/160DUTY; 1/13.6BIAS
 - CONNECTOR: ZEBRA&HEATSEAL
 - REFER TO MODULE PRODUCT SPECIFICATIONS FOR SPECIFIC CONFIGURATIONS AND BILL OF MATERIALS.



| ITEM | DRAW NO. | NAME | QTY. | SPEC./MATERIAL | NOTES |
|------|--------------|------------------|------|---------------------|------------------|
| 9 | 240160DCAB | CABLE | 1 | 16 PIN, 2.0mm Pitch | |
| 8 | 240160BSTP | Sponge tape | 2 | 0.60 mm THICKNESS | |
| 7 | | Single side tape | 1 | | Protect HEATSEAL |
| 6 | 240160BHSC | Heat seal | 1 | 0.50 mm PITCH | |
| 5 | 240160DPCB | PCB ASM | 1 | FR4 | |
| 4 | 240160BZBR | Zebra | 2 | | |
| 3 | 240160ALED | LED BACKLIGHT | 1 | SIDE BACKLIGHT | YELLOW-GREEN |
| 2 | 240160BLCD-X | LCD DISPLAY | 1 | STN/POSITIVE | |
| 1 | 240160BBZL | Bezel | 1 | COLD ROLLED STEEL | |

| TOLERANCE | | |
|----------------------------|-------|----------------|
| >0~6 | ±0.10 | >120~300 ±0.50 |
| >6~30 | ±0.20 | >300~500 ±0.80 |
| >30~120 | ±0.30 | >500 ±1.20 |
| // ⊥ ◎ ±0.10; ANGLE: ±3.0° | | |

REV: B
SHEET: 1 OF 1
SCALE: N.T.S.
UNITS: MM

APPROVALS: DWN Lina Mar-07
CHK: []
APP: []

DRAWING NO: 240160DMOD
DO NOT SCALE THIS DRAWING.

PROJECTION: [Symbol]

MODEL NUMBER: KG240160D
DATE: 07-MAR-2006

广州市龙宇电子有限公司
Kingtronics Display Technologies Ltd., Co.