

8

7

6

5

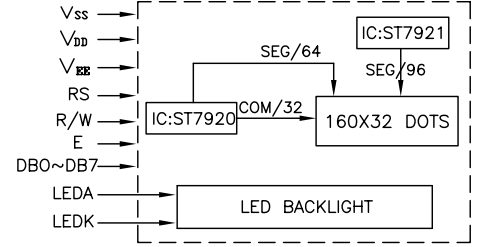
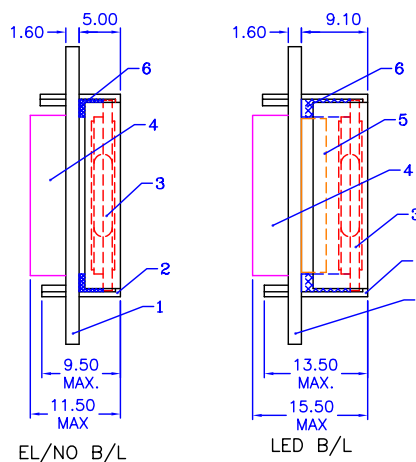
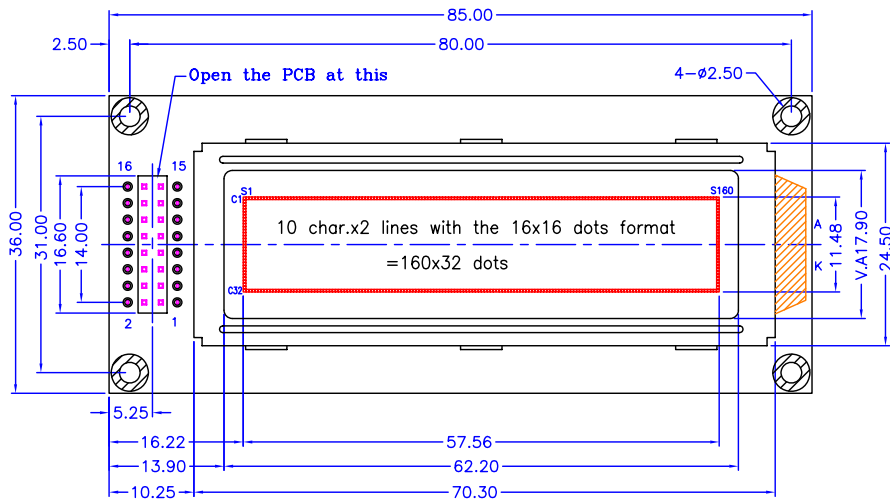
4

3

2

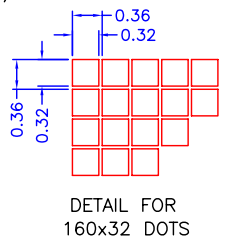
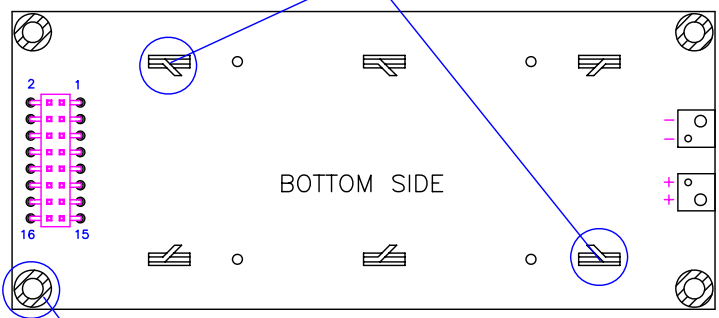
1

REV.	DESCRIPTION	BY	DATE
-	RELEASED	M.L	07/22/05



PINOUT		
PIN#	SYMBOL	FUNCTIONS
1	V _{SS}	0V POWER SUPPLY
2	V _{DD}	+5V SUPPLY
3	V _{BB}	LCD Drive Voltage (4~5V)
4	RS	Register Select H: DATA INPUT L: INSTRUCTION INPUT
5	R/W	Signal Description High=LCM to MPU Low =MPU to LCM
6	E	Signal Description R/W=Low;Data read at falling edge of E R/W=High;Data can be read when E is high
7~14	DB0~DB7	DATA BUS 4 or 8 bit parallel, software selectable
15	LED A	LED power supply
16	LED K	LED power supply

The 2 tabs must be soldered to ground (两扣板脚需上锡接地)



NOTES:
 1. ALL DIMENSIONS ARE MILLIMETRE
 2. REFER TO MODULE PRODUCT SPECIFICATIONS FOR SPECIFIC CONFIGURATIONS AND BILL OF MATERIALS.

TOLERANCE		
>0~6	±0.10	>120~300 ±0.50
>6~30	±0.20	>300~500 ±0.80
>30~120	±0.30	>500 ±1.20
// ⊥ ◎ ±0.10; ANGLE: ±3.0°		

ITEM	Drawing No.	Name	QTY	Spec/Material	Notes
6	16032AZBR-1/-2	Zebra	2		
5	162CLEd-2	LED bottom backlight	1	COLOR:YELLOW-GREEN	
	162CLEd-3	LED side backlight	1	COLOR:WHITE	
4	162CFHD	PCB socket	1	1795-2x8-200-081	
3	16032ALCD-x	LCD DISPLAY	1		
2	162EBZL-1/-2	Bezel	1	COLD ROLLED STEEL	
1	16032APCB	PCB	1	FR4	

广州市龙宇电子有限公司
Kingtronics Display Technologies Ltd., Co.

REV: -	SHEET: 1 OF 1
SCALE: N.T.S.	UNITS: MM
APPROVALS: DWN Maggie	DATE: JUL-22
CHK	
APP	

DRAWING NO: 16032A

DO NOT SCALE THIS DRAWING. PROJECTION

MODEL NUMBER: KG16032A

DATE: 22-JUL-05

8

7

6

5

4

3

2

1