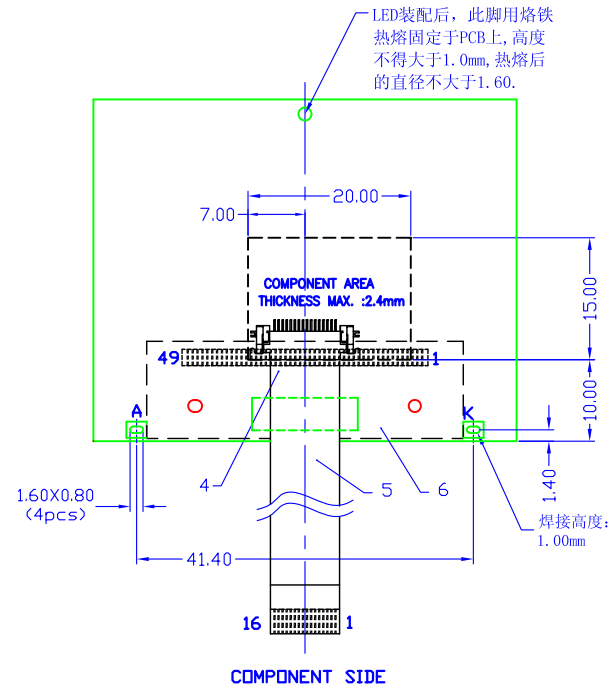
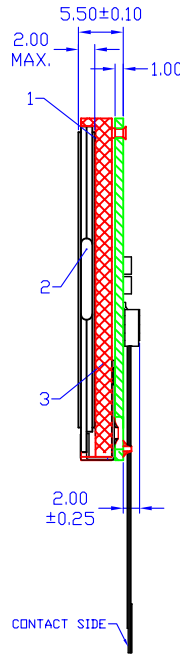
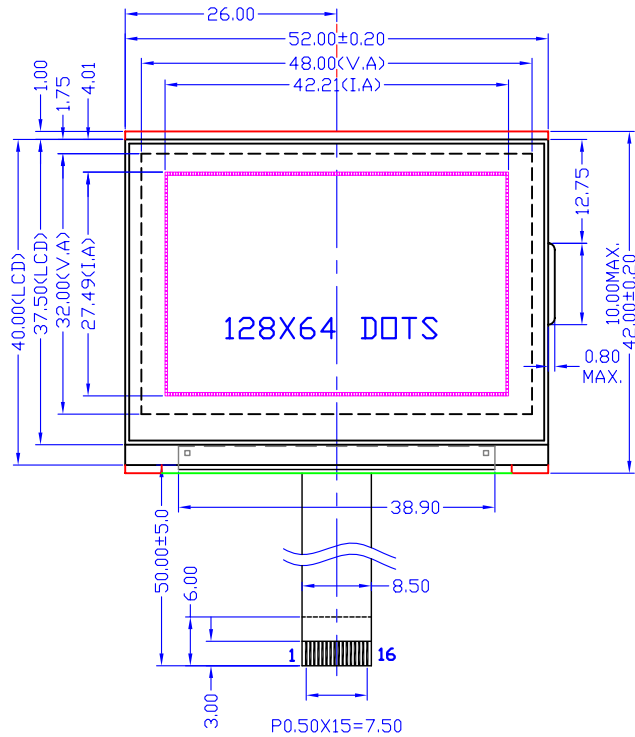
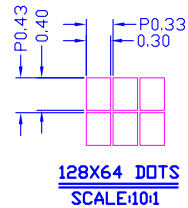


REV.	DESCRIPTION	BY	DATE
-	RELEASED	M.L	04/11/05
A	ECO#050412	M.L	04/27/05
B	ECO#050601	M.L	06/02/05



NO.	SYMBOL	
1	Vss	GND(0Vdc)
2	VDD(5.0V)	5Vdc(+3.3V Compatible if possible)
3	D7	Bi-directional data bus
4	D6	
5	D5	
6	D4	
7	D3	
8	D2	
9	D1	
10	D0	
11	A0	Control/Display data flag input
12	E	Enable signal
13	R/W	Write=0; Read=1
14	/RES	Reset display
15	LED K	Cathode Backlight LED
16	LED A	Anode Backlight LED



NOTES

1. ALL DIMENSIONS ARE mm.
2. VIEWING DIRECTION: 6:00.
3. DRIVE METHOD: 1/65DUTY; 1/9BIAS.
4. CONTROLLER IC: ST7565P-F1.
5. CONNECTOR:TAB
6. REFER TO MODULE PRODUCT SPECIFICATIONS FOR SPECIFIC CONFIGURATIONS AND BILL OF MATERIALS
7. 产品需做高度1米跌落实验。

7					
6	12864LPCB	PCB	1	1.00mm FR4	DOUBLE LAYERS
5		FFC CONNECTOR	1	0.5mm FFC ZIF TYPE SMT BOTTOM CONTACT	
4	12864LFFC	FFC TAPE	1	PITCH 0.50mm,16PIN	
3	12864LLED-X	BACKLIGHT LED	1		
2	12864LLCD-X	LCD DISPLAY	1		TAB
1		DOUBLE SIDE TAPE	1	0.10mm THICK	CONNECTED LED&LCD
Item	Drawing NO.	Name	QTY.	Spec/Material	Notes

TOLERANCE		
>0~6	±0.10	>120~300 ±0.50
>6~30	±0.20	>300~500 ±0.80
>30~120	±0.30	>500 ±1.20
// ⊥ ◎ ±0.10; ANGLE: ±3.0°		

REV: B
SHEET: 1 OF 1
SCALE: N.T.S. UNITS: MM

APPROVALS: DWN Maggie Jun-02
CHK
APP

DRAWING NO: 12864LMOD

DO NOT SCALE THIS DRAWING. PROJECTION

广州市龙宇电子有限公司
Kingtronics Display Technologies Ltd., Co.

MODEL NUMBER : KG12864L
DATE: 02-Jun-2005