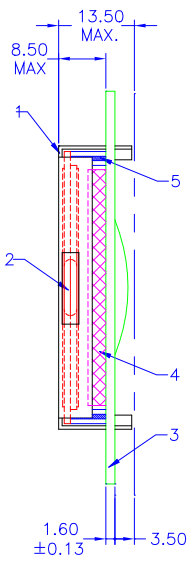
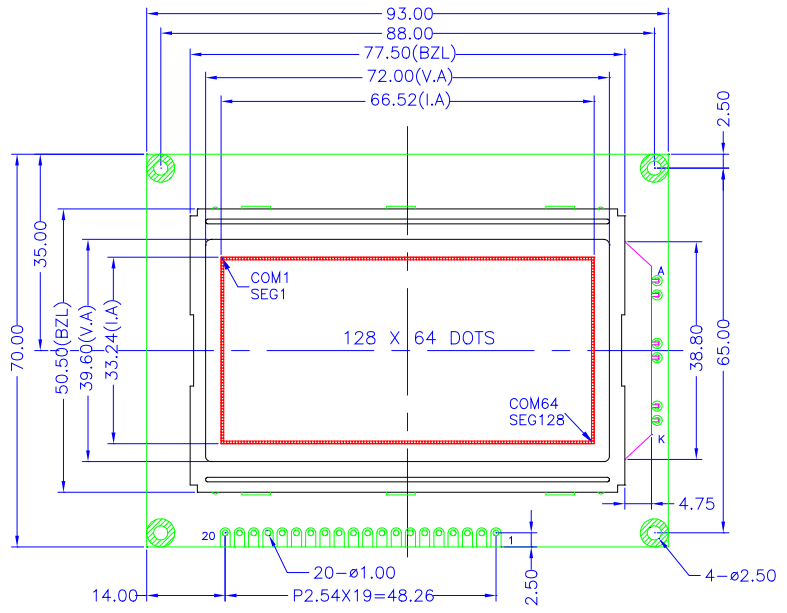
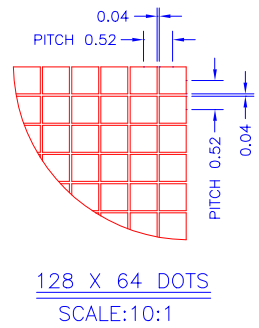
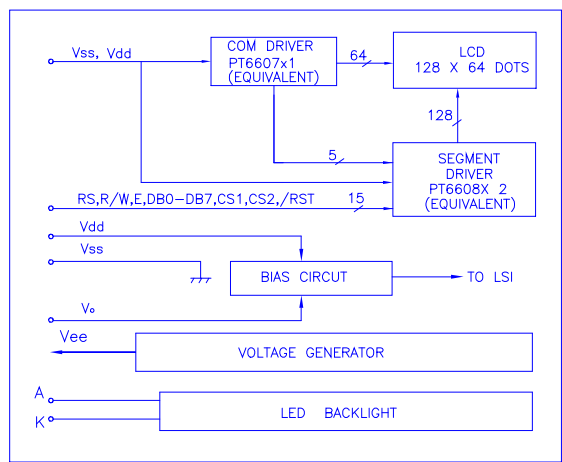


REV.	DESCRIPTION	BY	DATE
-	RELEASED	M.L	05/18/05



PIN ASSIGNMENT						
PIN#	SYMBOL	FUNCTION	MIN.	TYP.	MAX.	UNIT
1	Vss	POWER SUPPLY (GND)				
2	Vdd	POWER SUPPLY (+5V)	4.5	5.0	5.5	V
3	Vo	CONTRAST ADJUST	-		-	V
4	RS	REGISTER SELECT SIGNAL				
5	R/W	DATA READ/WRITE				
6	E	ENABLE SIGNAL				
7	DB0	DATA BUS				
8	DB1					
9	DB2					
10	DB3					
11	DB4					
12	DB5					
13	DB6					
14	DB7					
15	CS1	CHIP SELECT IC1				
16	CS2	CHIP SELECT IC2				
17	/RST	RESET SIGNAL				
18	Vlcd	NEGATIVE VOLTAGE OUTPUT				
19	LED+	LED BACKLIGHT +	-	-	-	V
20	LED-	LED BACKLIGHT -	-	0	-	V

- NOTES:
1. ALL DIMENSIONS ARE IN mm.
 2. REFER TO MODULE PRODUCT SPECIFICATIONS FOR SPECIFIC CONFIGURATIONS AND BILL OF MATERIALS.
 3. CONNECTOR: ZEBRA



Item	Drawing No.	Name	QTY.	Spec/Material	Notes
6					
5	12864EZBR-3	ZEBRA	2		
4	12864KLED-X	LED BACKLIGHT	1		END LED BACKLIGHT
3	12864EPCB3	PCB ASSEMBLY	1	FR4	2 LAYERS
2	12864ELCD-X	LC DISPLAY	1		
1	12864EBZL-5	BEZEL	1	COLD ROLLED STEEL	

TOLERANCE			
>0~6	±0.10	>120~300	±0.50
>6~30	±0.20	>300~500	±0.80
>30~120	±0.30	>500	±1.20
// ⊥ ◎ ±0.10; ANGLE: ±3.0°			

REV: -

SHEET: 1 OF 1

SCALE: N.T.S. UNITS MM

APPROVALS DATE

DWN Maggie Feb-28

CHK

APP

DO NOT SCALE THIS DRAWING.

PROJECTION

Kingtronics Display Technologies Ltd., Co.

DRAWING NO: 12864EMOD-1

MODEL NUMBER : KG12864E

DATE: 28-Feb-2006