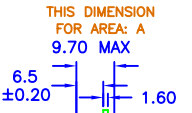
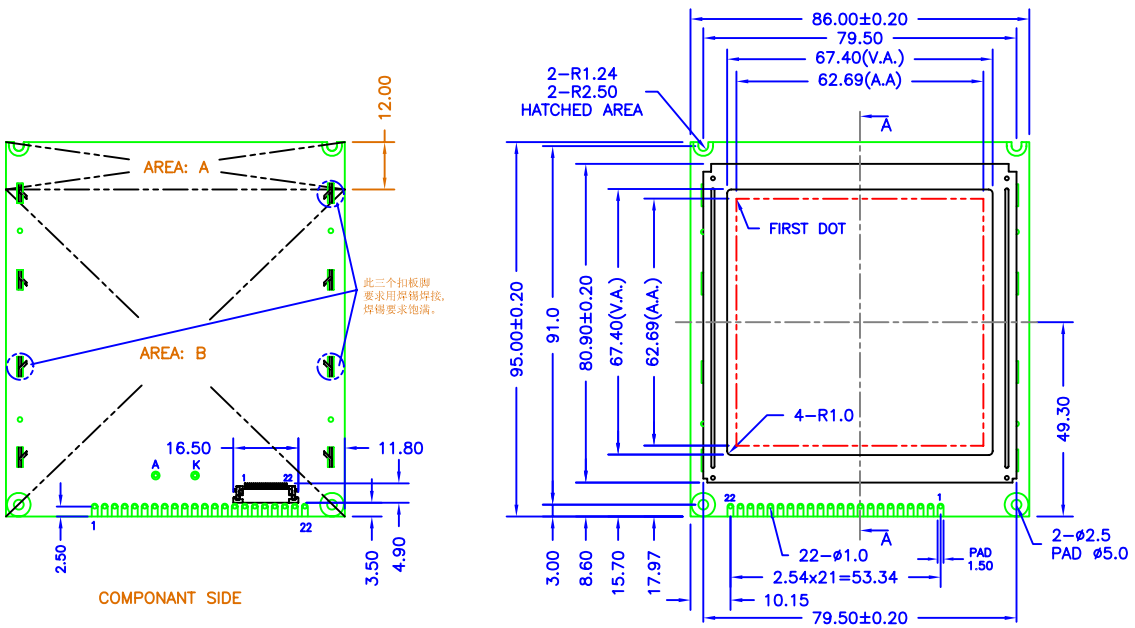
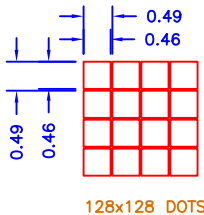
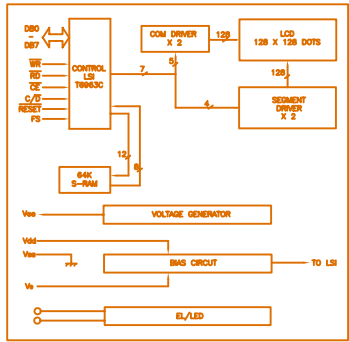


REV.	DESCRIPTION	BY	DATE
-	RELEASED	P.L	11/30/04
A	ECO#030508	P.L	12/18/04
B	ECO#060302	Lina	03/02/06
C	ECO#060321	Lina	03/31/06



CONNECTOR PINOUT			
PIN#	SYMBOL	LEVEL	FUNCTIONS
1	FG		FRAME GROUND
2	V _{SS}		POWER SUPPLY (OV GND)
3	V _{DD}		POWER SUPPLY FOR LOGIC
4	V _{EE}		NEG. VOLTAGE
5	V _O		CONTRAST ADJ
6	WR	L	WRITE SIGNAL ("L" ACTIVE)
7	RD	L	READ SIGNAL ("L" ACTIVE)
8	CE	L	CHIP ENABLE SIGNAL ("L" ACTIVE)
9	C/D	H/L	WRITE MODE H: COMMAND WRITE L: DATA WRITE READ MODE H: STATUS READ L: DATA READ
10	RESET	H/L	RESET SIGNAL ("L" RESET)
11	DB0	H/L	DISPLAY DATA 0
12	DB1	H/L	DISPLAY DATA 1
13	DB2	H/L	DISPLAY DATA 2
14	DB3	H/L	DISPLAY DATA 3
15	DB4	H/L	DISPLAY DATA 4
16	DB5	H/L	DISPLAY DATA 5
17	DB6	H/L	DISPLAY DATA 6
18	DB7	H/L	DISPLAY DATA 7
19	FS	H/L	FONT SWITCH(NO CONNECTION WITH V _{CC} :6X8 DOTS) (CONNECTED W/GND :8X8 DOTS)
20	NC		NO CONNECTION

PIN NO.	LED TYPE
21	POWER SUPPLY FOR LED -
22	POWER SUPPLY FOR LED +




7	128128AZBR-X	ZEBRA	2		
6	128128APCB	PCB ASSEMBLY	1	FR4	
5		保护膜L66W10T0.1	1		保护 HEAT SEAL
4	128128AHSC-X	HEAT SEAL	1		
3	128128ALED-X	LED BACKLIGHT	1		
2	128128ALCD-X	LC DISPLAY	1		
1	128128ABZL-X	METAL FRAME	1		COLD ROLLED STEEL
Item	Drawing No.	Name	QTY.	Spec/Material	Notes

- NOTES:
- ALL DIMENSIONS ARE MILLIMETRE.
 - REFER TO MODULE PRODUCT SPECIFICATIONS FOR SPECIFIC CONFIGURATIONS AND BILL OF MATERIALS.
 - BUILT-IN NEGATIVE VOLTAGE (CONTRAST).
 - BUILT-IN MICROCONTROLLER T6963C.
 - 零件及所有包装材料需符合欧盟 RoHS标准

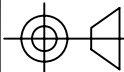
TOLERANCE		
>0~6	±0.10	>120~300 ±0.50
>6~30	±0.20	>300~500 ±0.80
>30~120	±0.30	>500 ±1.20
// ⊥ ◎ ±0.10; ANGLE: ±3.0°		

REV: C	
SHEET: 1 OF 1	
SCALE: N.T.S.	UNITS MM
APPROVALS	
DWN	Lina
CHK	
APP	
DATE Mar-31	



广州市龙宇电子有限公司
Kingtronics Display Technologies Ltd., Co.

DRAWING NO:
128128AMOD



PROJECTION

MODEL NUMBER :
KG128128A

DATE:
31-Mar-2006

DO NOT SCALE THIS DRAWING.