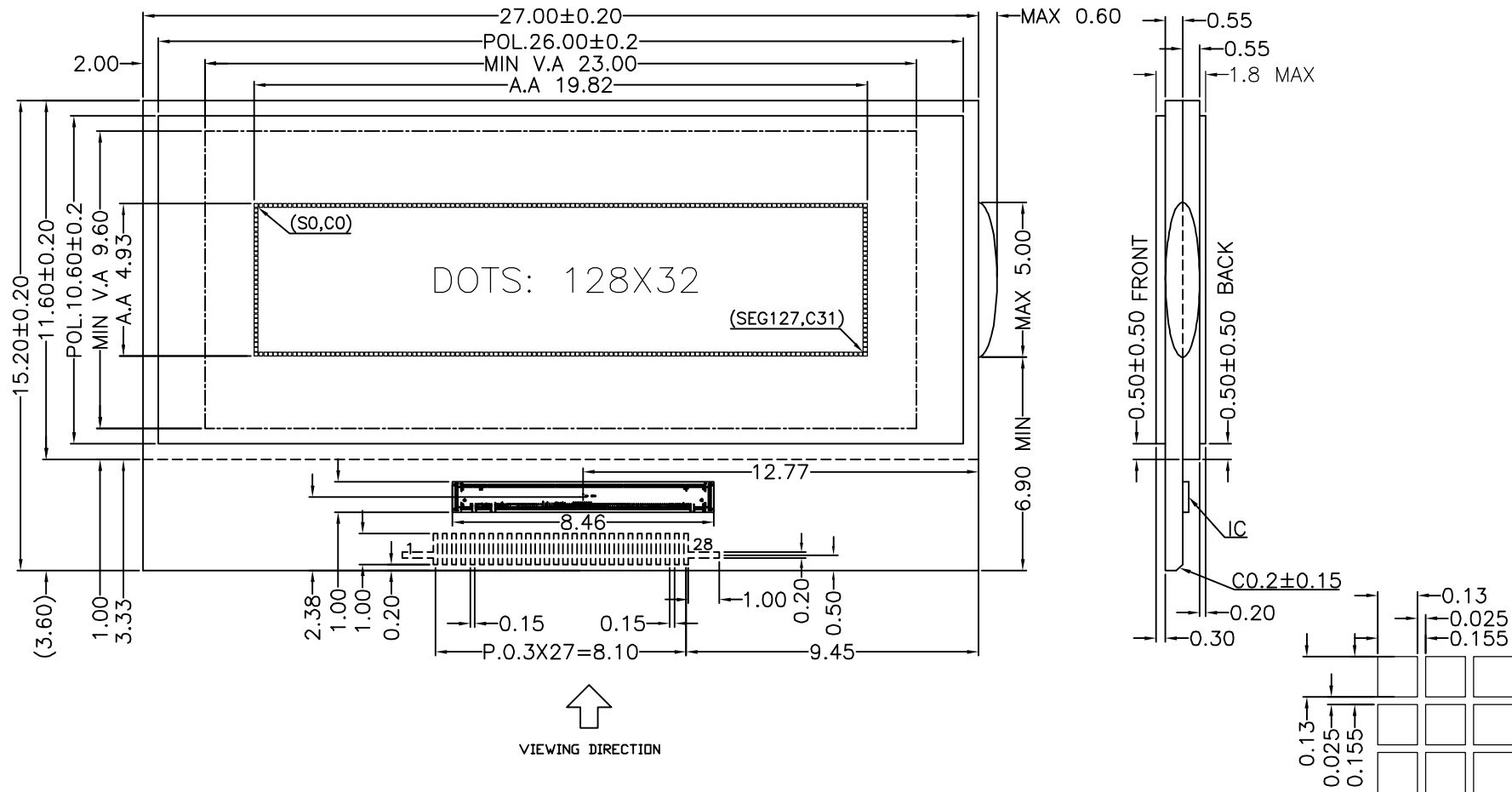



REV.	DESCRIPTION	DATE
A	REV. POL. & ADD ALIGNMENT MARK	2005-06-30
B	REV. LINETYPE	2005-09-09

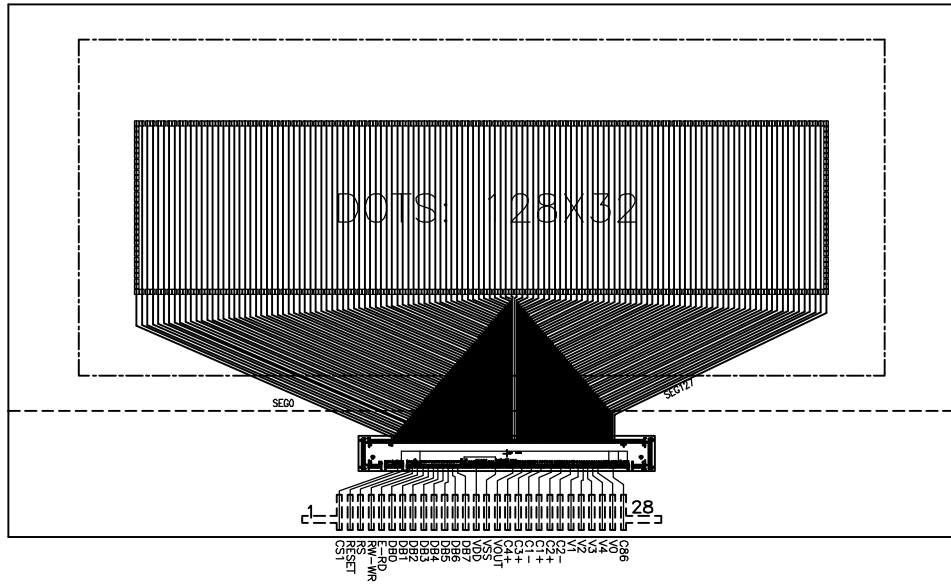


SPECIFICATIONS

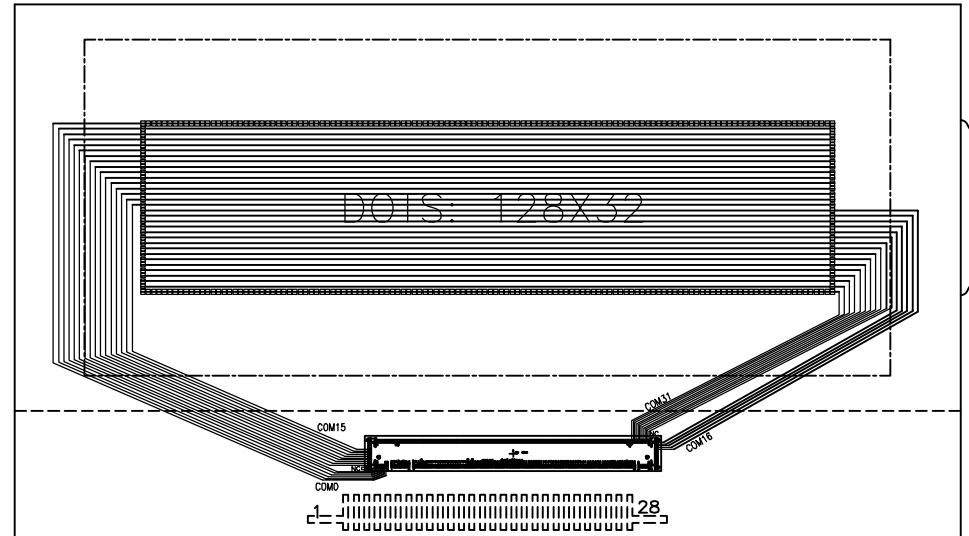
BACK POLARIZER : TRANSMISSIVE,ADHESIVE
 OPERATING TEMP : -10°C TO +60°C
 STORAGE TEMP : -20°C TO +70°C
 VIEWING DIRECTION : 6 O'CLOCK
 DRIVE CONDITION : 1/33 DUTY, 1/6 BIAS, 7.0 V
 DISPLAY MODE : FSTN, POSITIVE MODE
 CUSTOMER P/N :
 CONNECTION: HEAT SEAL
 USE IC: NT7534

SCALE: N.T.S.		 广州市龙宇电子有限公司 Kingtronics Display Technologies Ltd., Co.	SHEET: 1 OF 4	
GENERAL TOL. 0.20 MM	UNITS MM		APPROVALS	
DWN	Alfred	DATE	MODEL NUMBER :	
CHK		SEP-09	F128329H00	
APP		DO NOT SCALE THIS DRAWING.		PROJECTION
			DRAWING NO:	
			DATE:	
			2005-06-28	

REV.	DESCRIPTION	DATE
A	REV. POL. & ADD ALIGNMENT MARK	2005-06-30
B	REV. LINETYPE	2005-09-09


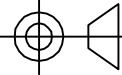


SEG



COM

28	C86	14	VDD
27	V0	13	DB7
26	V4	12	DB6
25	V3	11	DB5
24	V2	10	DB4
23	V1	9	DB3
22	C2-	8	DB2
21	C2+	7	DB1
20	C1+	6	DB0
19	C1-	5	E-RD
18	C3+	4	RW-WR
17	C4+	3	RS
16	VOUT	2	RESET
15	VSS	1	CS1

SCALE: N.T.S.		 广州市龙宇电子有限公司 Kingtronics Display Technologies Ltd., Co.	DRAWING NO:
SHEET: 3 OF 4			
GENERAL TOL. 0.20 MM	UNITS MM	MODEL NUMBER : F128329H00	DATE:
APPROVALS	DATE		
DWN Alfred	SEP-09	DO NOT SCALE THIS DRAWING.	
CHK			
APP			