


SPECIFICATIONS

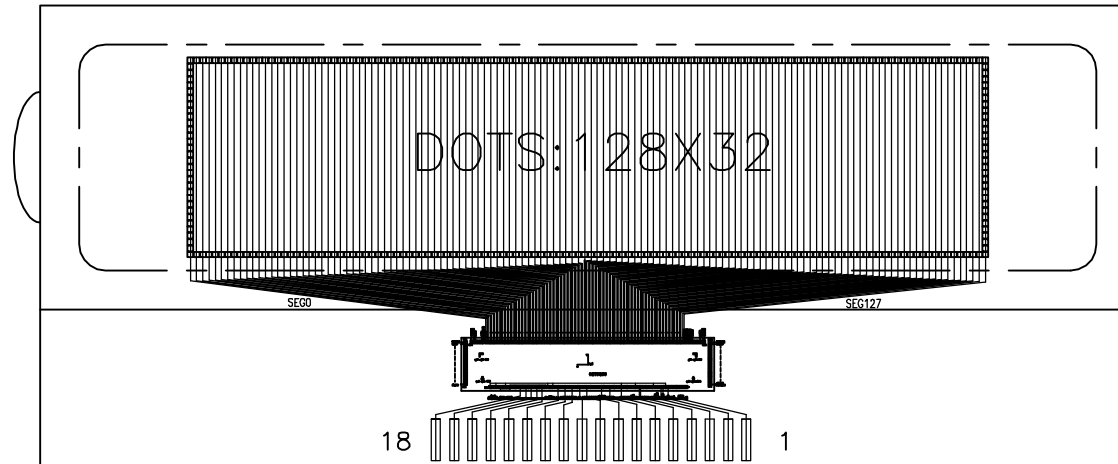
BACK POLARIZER : TRANSFLECTIVE,ADHESIVE
 OPERATING TEMP : -20°C TO +70°C
 STORAGE TEMP : -30°C TO +80°C
 VIEWING DIRECTION : 6 O'CLOCK
 DRIVE CONDITION : 1/33 DUTY, 1/6 BIAS, 6.5 V
 DISPLAY MODE : FSTN, POSITIVE MODE
 CUSTOMER P/N :
 CONNECTION: FPC&COG(S6B0724)

SCALE: N.T.S.		 广州市龙宇电子有限公司 Kingtronics Display Technologies Ltd., Co.
SHEET: 1 OF 5		
GENERAL TOL. 0.20 MM	UNITS MM	
APPROVALS		DATE
DWN	Yucca	Feb-02
CHK		
APP		
MODEL NUMBER : F128324H00		DRAWING NO:
DO NOT SCALE THIS DRAWING.		DATE: 2005-02-02

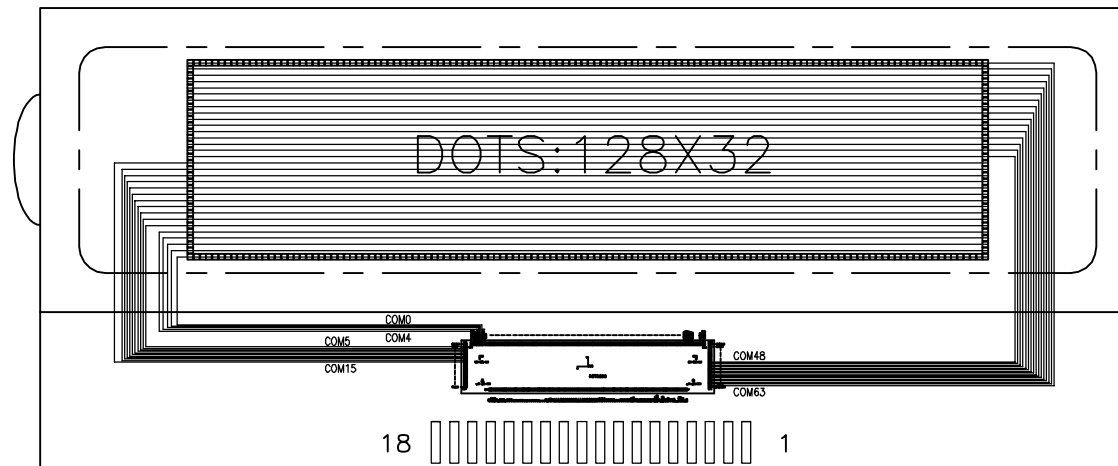
REV.

DESCRIPTION

DATE



SEG



COM

SCALE:
N.T.S.

SHEET: 3 OF 5

GENERAL TOL.
0.20 MMUNITS
MM

APPROVALS

DATE

DWN

Yucca

Feb-02

CHK

APP

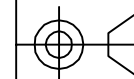


广州市龙宇电子有限公司

Kingtronics Display Technologies Ltd., Co.

MODEL NUMBER :

F128324H00



DRAWING NO:

DATE:

2005-02-02

DO NOT SCALE THIS DRAWING.

PROJECTION