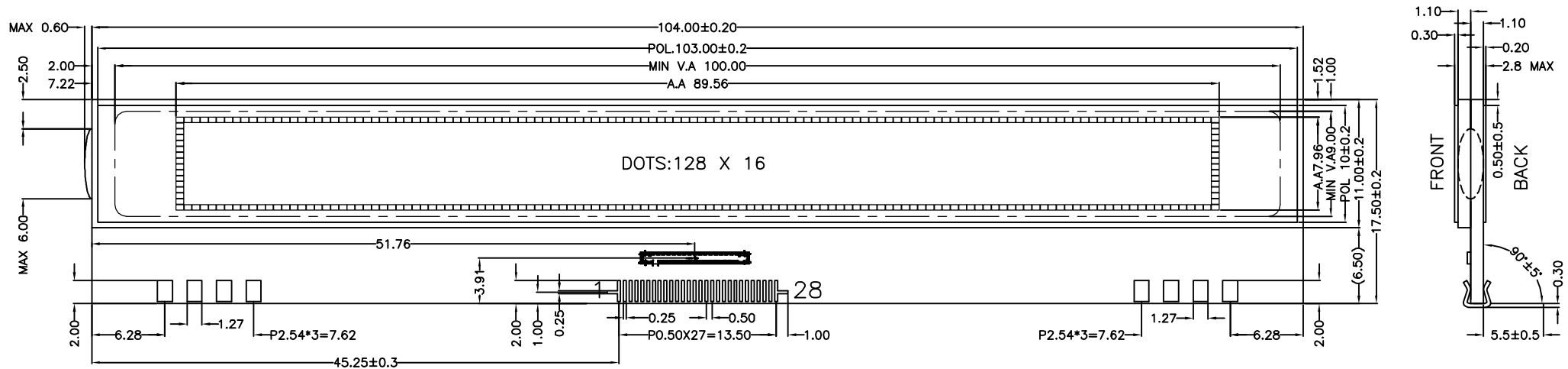
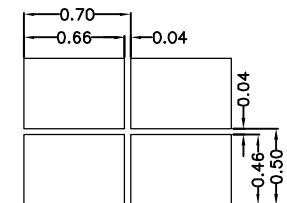


VIEWING DIRECTION



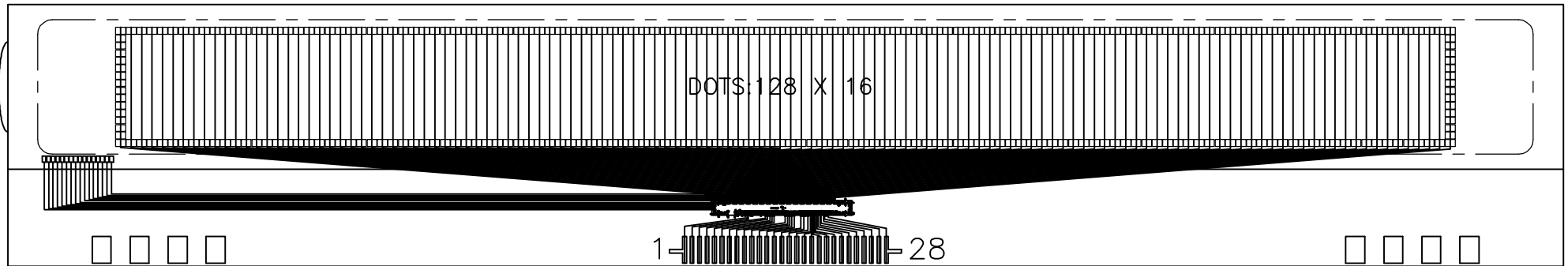
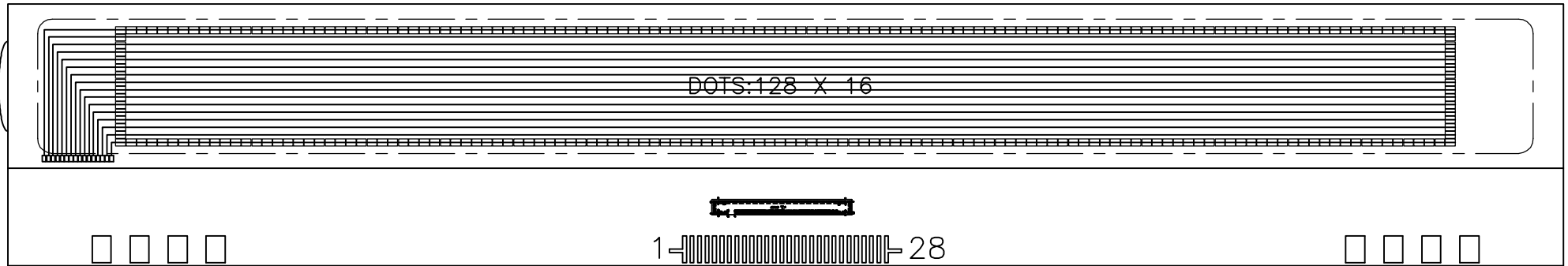
PIN#	1	2	3	4	5	6	7	8	9	10	11	12	13	14
DESC	P/S	C86	V5	V4	V3	V2	V1	CAP2+	CAP2-	CAP1-	CAP1+	CAP3-	VOUT	VSS
PIN#	15	16	17	18	19	20	21	22	23	24	25	26	27	28
DESC	VDD	D7(SI)	D6(SCL)	D5	D4	D3	D2	D1	D0	/RD	/WR	A0	/RES	/CS1


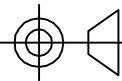


SPECIFICATIONS

BACK POLARIZER : TRANSMISSIVE,ADHESIVE
 OPERATING TEMP : -20°C TO +70°C
 STORAGE TEMP : -30°C TO +80°C
 VIEWING DIRECTION : 12 O'CLOCK
 DRIVE CONDITION : 1/33 DUTY, 1/5 BIAS, 5.0 V
 DISPLAY MODE : FSTN, NEGATIVE MODE
 CUSTOMER P/N :
 CONNECTION: FPC
 DRIVE IC: ST7565P

SCALE: N.T.S.		广州市龙宇电子有限公司 Kingtronics Display Technologies Ltd., Co.
SHEET: 1 OF 4		
GENERAL TOL. 0.20 MM	UNITS MM	
APPROVALS	DATE	MODEL NUMBER :
DWN	Eleven	JUN-07
CHK		
APP		
DO NOT SCALE THIS DRAWING.		PROJECTION
		DRAWING NO:
		DATE:
		2005-06-07



SCALE: N.T.S.		 广州市龙宇电子有限公司 Kingtronics Display Technologies Ltd., Co.	DRAWING NO:
SHEET: 3 OF 4			
GENERAL TOL. 0.20 MM	UNITS MM	MODEL NUMBER : F128161H00	DATE:
APPROVALS	DATE		 PROJECTION DO NOT SCALE THIS DRAWING.
DWN	Eleven JUN-07		
CHK			
APP			