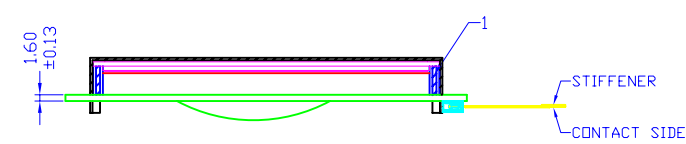
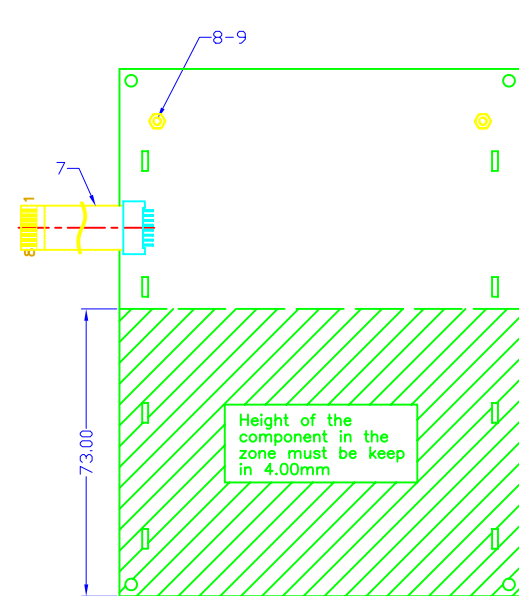
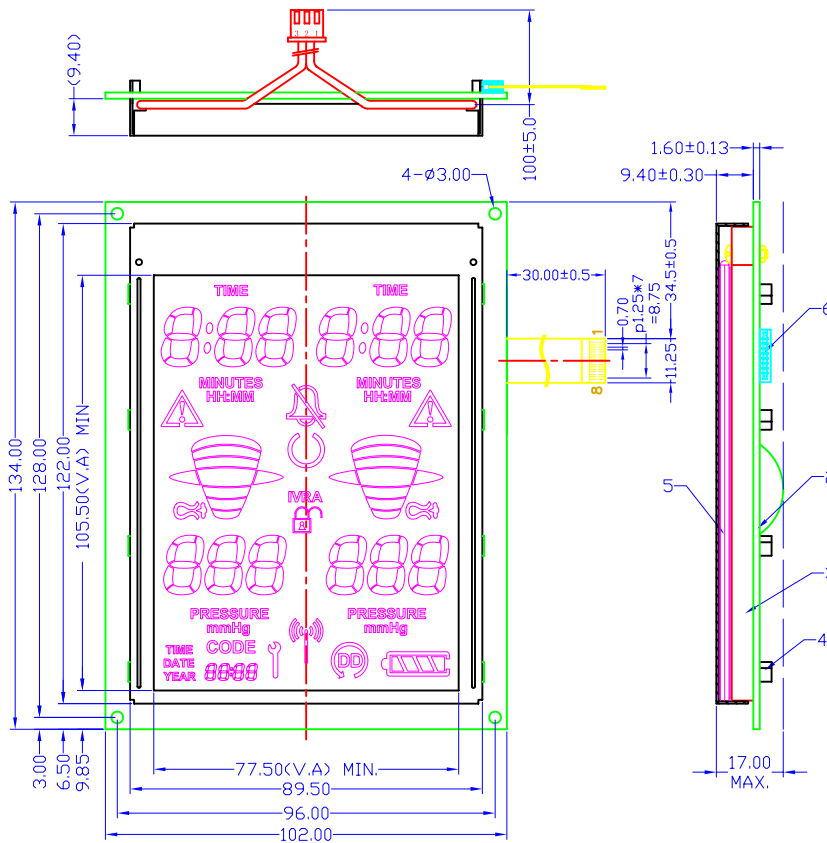
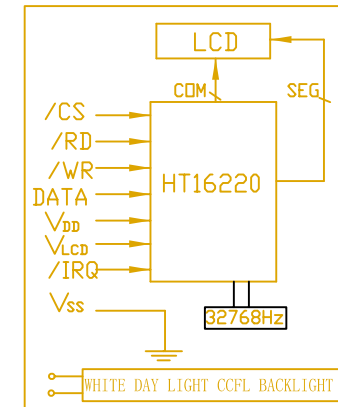


REV.	DESCRIPTION	BY	DATE
-	RELEASED	Lina	12/29/05

PIN ASSIGNMENT		
PIN#	SYMBOL	FUNCTION
1	/CS	CHIP ENABLE SIGNAL
2	/RD	READ SIGNAL
3	/WR	WRITE SIGNAL
4	DATA	DATA BUS
5	Vss	GND(OV)
6	V _{Lcd}	POWER SUPPLY FOR LCD (+4.8V)
7	V _{DD}	POWER SUPPLY FOR LOGIC (+5V)
8	/IRQ	Time base or WDT overflow flag



NOTES:

- ALL DIMENSIONS ARE mm.
- LCD TYPE: STN(BLUE)/NEGATIVE.
- POLARIZER MODE: TRANSMISSIVE.
- VIEWING DIRECTION: 6:00 .
- DRIVE METHOD: 1/8 DUTY; 1/3 BIAS.
- OPERATING TEMPERATURE: 0°C TO +50°C.
- STORAGE TEMPERATURE: -10°C TO +60°C.
- CCFL BACKLIGHT
- 零件及所有包装材料需符合欧盟 RoHS标准

9		六角头螺母M2	2	GB/6170-1986	
8		十字槽盘头螺钉M2x10	2	GB/T818-1985	
7	5C01FFC	FFC	1		
6		CONNECTOR	1	1.25PITCH 8PIN 双接卧式SMT	FPC125-08-S-H-N
5	5C01LCD	LCD DISPLAY	1	STN(BLUE)/NEGATIVE	
4	3C07BZL	METAL FRAME	1	COLD ROLLED STEEL	
3	3C07CCFL	CCFL	1		COLOR: WHITE
2	5C01PCB	PCB ASSEMBLY	1	FR4	
1	3C07ZBR	ZEBRA	2		
Item	Drawing No.	Name	QTY.	Spec/Material	Notes

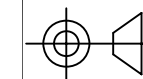
TOLERANCE		
>0~6	±0.10	>120~300 ±0.50
>6~30	±0.20	>300~500 ±0.80
>30~120	±0.30	>500 ±1.20
// ⊥ ◎ ±0.10; ANGLE: ±3.0°		

REV: -
SHEET: 1 OF 1
SCALE: N.T.S.
UNITS: MM
APPROVALS
DATE
DWN Lina Dec-29
CHK
APP



广州市龙宇电子有限公司
Kingtronics Display Technologies Ltd., Co.

DRAWING NO:
5C01MOD



MODEL NUMBER :
KC5C01
DATE:
29-Dec-06

DO NOT SCALE THIS DRAWING. PROJECTION