

8

7

6

5

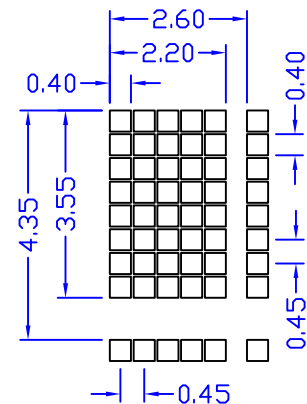
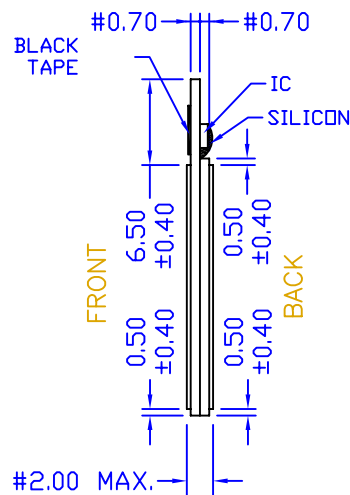
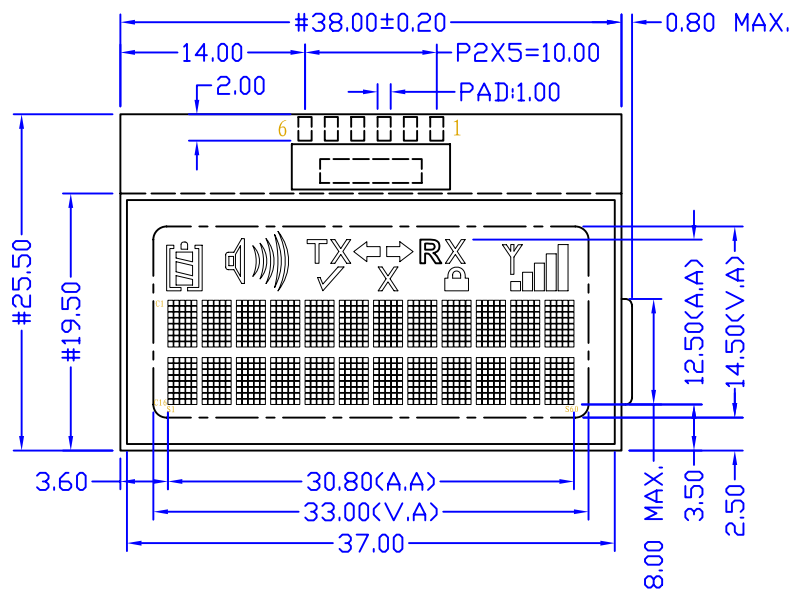
4

3

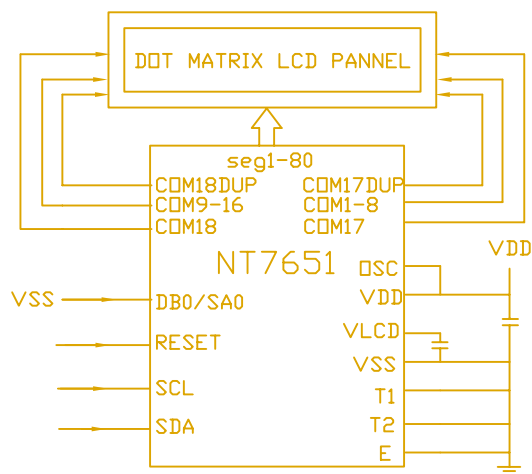
2

1

REV.	DESCRIPTION	BY	DATE
-	RELEASED	J.Y	08/20/04



SCALE: 4:1



PIN ASSIGNMENT		
PIN#	SYMBOL	FUNCTION
1	SCL	I ² C-BUS SERIAL CLOCK INPUT
2	RESET	EXTERNAL POWER-ON RESET INPUT
3	SDA	I ² C-BUS SERIAL DATA INPUT
4	VDD(3V)	POWER SUPPLY FOR LOGIC
5	VSS	GROUND(0V)
6	VLCD	INPUT IS USED FOR GENERATION OF THE LCD BIAS LEVELS

NOTES:

1. ALL DIMENSIONS ARE MILLIMETRE;
2. LCD TYPE: FSTN/POSITIVE;
3. VIEWING ANGLE: 6:00;
4. POLARIZER MODE: TRANSFLECTIVE;
5. DRIVE METHOD: 1/18 DUTY; 1/5 BIAS;
6. OPERATING VOLTAGE: 4.6±0.20V;
7. OPERATING TEMPERATURE: -20°C ~ +70°C;
8. STORAGE TEMPERATURE: -30°C ~ +80°C;
9. IC: NT7651
10. 底偏光片上保护膜不应有划伤或脱落。

TOLERANCE

>0~6	±0.10	>120~300	±0.50
>6~30	±0.20	>300~500	±0.80
>30~120	±0.30	>500	±1.20

// ⊥ ◎ ±0.10; ANGLE: ±3.0°

REV: -

SHEET: 1 OF 1

SCALE:
N.T.S. UNITS
MM

APPROVALS DATE

DWN J.Y Aug-20

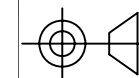
CHK

APP



广州市龙宇电子有限公司

Kingtronics Display Technologies Ltd., Co.

DRAWING NO:
4704MODMODEL NUMBER :
KC4704DATE:
20-Aug-2004

DO NOT SCALE THIS DRAWING. PROJECTION

8

7

6

5

4

3

2

1