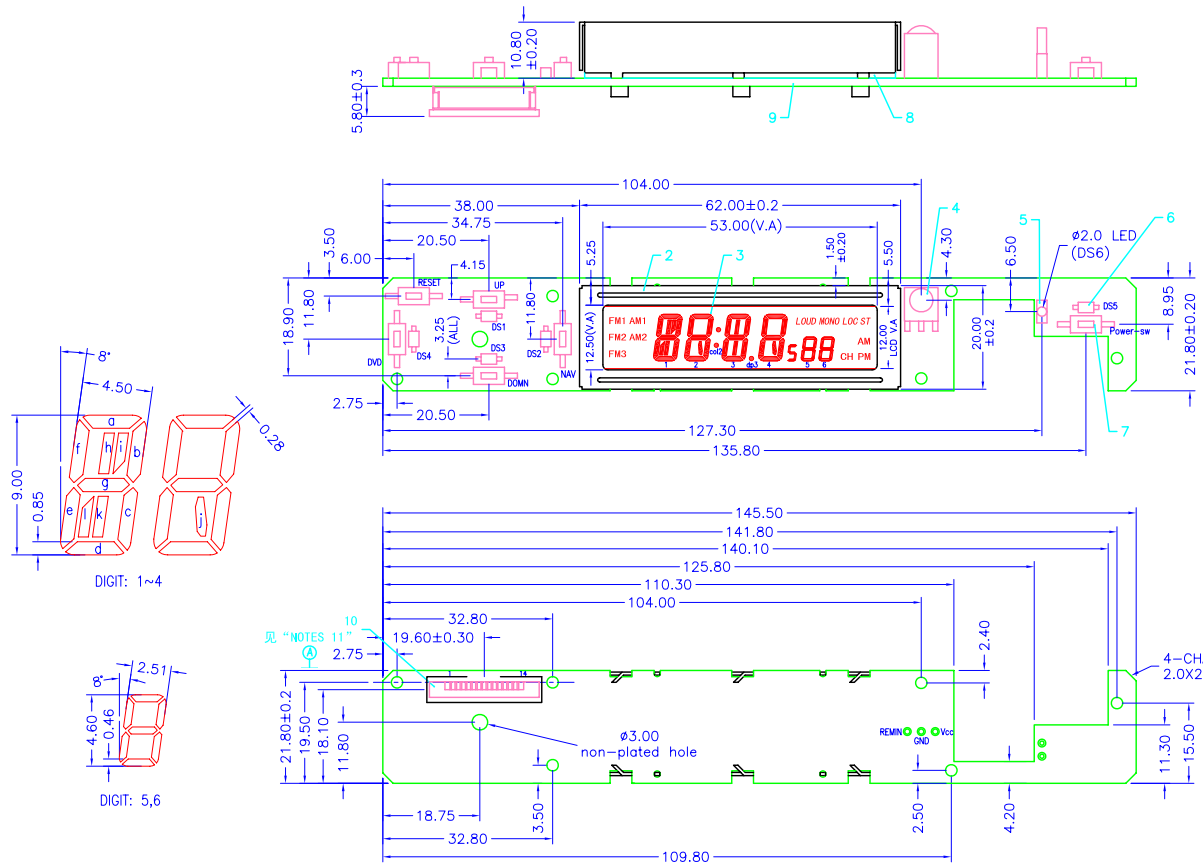
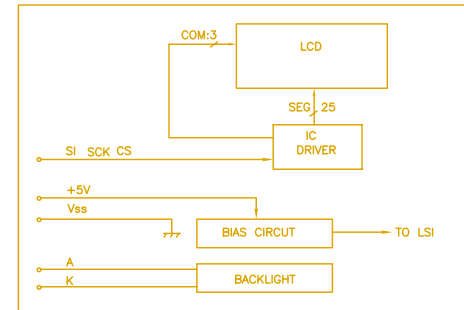


REV.	DESCRIPTION	BY	DATE
-	RELEASED	L.XH	10/28/05
A	ECO#030105	L.XH	01/15/06



接插件

pin	symbol	pin	symbol
1	+5V	8	DVDSW
2	CS	9	NAVSW
3	SI	10	PWRSW
4	SCK	11	Vss
5	POWERON	12	+5VSTB
6	DNSW	13	REM
7	UPSW	14	RSTSW



PIN	1	2	3	4	5	6	7	8	9	10	11	12	13	14	15	16	17	18	19	20	21	22	23	24	25	26	27	28
COM0	ST			1l,1i	1g	1k,1h	2g	2j	col2	3g	3h,3k	dp3	4g	4j	AM		5g			6g				5	MONO	COM0		
COM1	AM1	AM2	FM3	1d	1e	1c	2e	2d	2c	3e	3d	3c	4e	4d	4c	PM	5e	5d	5c	6e	6d	6c	CH				COM1	
COM2	FM1	FM2	1f	1a	1b	2f	2a	2b	3f	3a	3b	4f	4a	4b			5f	5a	5b	6f	6a	6b	LOUD	LOC			COM2	

NOTES:

- DIMENSIONS ARE MILLIMETERS.
- LCD TYPE: TN/POSITIVE.
- POLARIZER: TRANSLFLECTIVE.
- VIEWING ANGLE: 12:00.
- DRIVE METHOD: 1/3 DUTY; 1/2 BIAS.
- OPERATING VOLTAGE: 5.0V.
- OPERATING TEMPERATURE: -30°C TO +80°.
- STORAGE TEMPERATURE: -30°C TO +85°.
- CONNECTOR: ZEBRA.
- CONTROL IC: UPD7225GB

△11. 元件10的触点方向靠近A面板边。

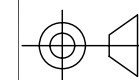
TOLERANCE		REV: A	
>0~6	±0.10	>120~300	±0.50
>6~30	±0.20	>300~500	±0.80
>30~120	±0.30	>500	±1.20
// ⊥ ◎ ±0.10; ANGLE: ±3.0°		SHEET: 1 OF 1	
		SCALE:	UNITS
		N.T.S.	MM
APPROVALS		DATE	
DWN	L.XH	Jan-15	
CHK			
APP			

10	接插件	1		14 PIN 立式FFC	
9	2905PCB	1	FR4		
8	12224AZBR	2			
7	轻触开关	6		贴装元件	
6	LED芯片	5		贴装元件	
5	LED指示管	1		插装元件	
4	红外线接收器	1			
3	2905LCD	1	TN/POSITIVE		
2	12224ABZL	1			
1	12224ALED	1		底部发光	
序号	图号	名称	数量	规格/材料	备注



广州市龙宇电子有限公司  
Kingtronics Display Technologies Ltd., Co.

DRAWING NO:  
2905MOD



MODEL NUMBER :  
KC2905  
DATE:  
15-Jan-2006

DO NOT SCALE THIS DRAWING. PROJECTION