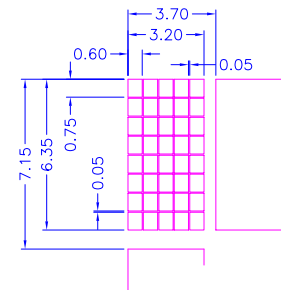
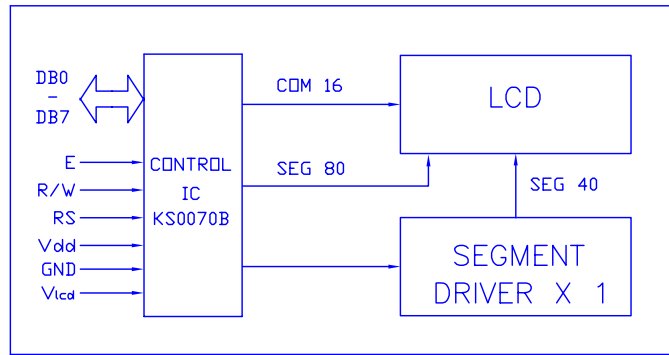
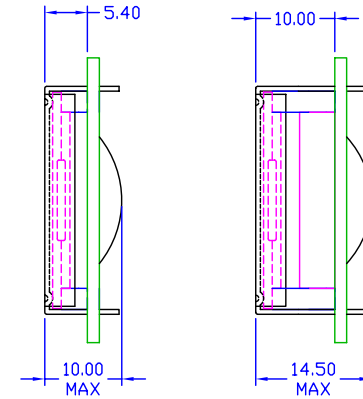
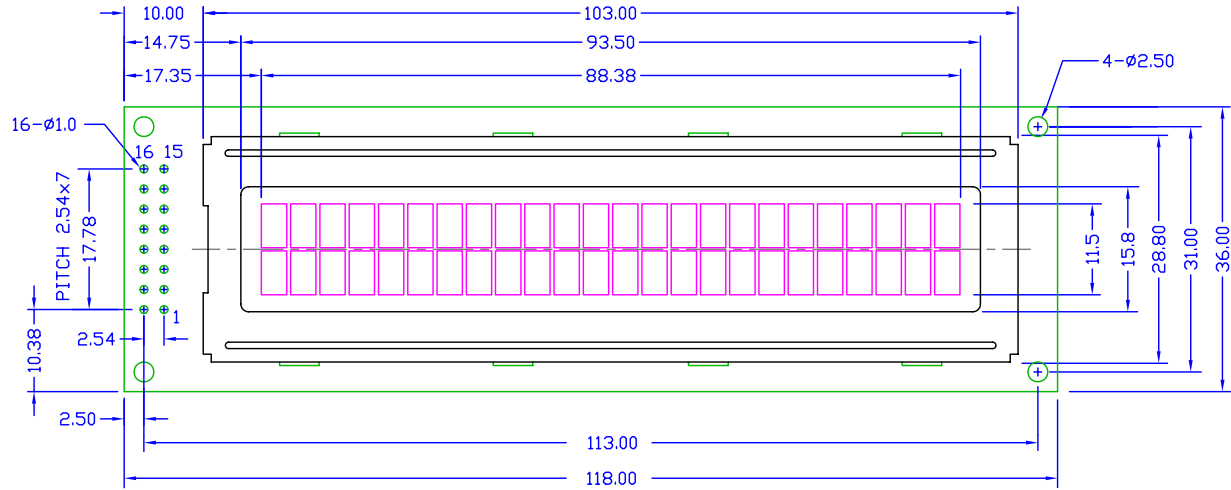


REV.	DESCRIPTION	BY	DATE
-	RELEASED	P.L	01/04/05



CONNECTOR		PINOUT	
PIN#	SYMBOL	FUNCTIONS	
1	GND	0V	POWER SUPPLY
2	V _{DD}	+5V	
3	V _S		
4	RS	H: DATA INPUT L: INSTRUCTION INPUT	
5	R/W	H: READ L: WRITE	
6	E	ENABLE SIGNAL	
7	DB0	DATA BUS LINES	
8	DB1		
9	DB2		
10	DB3		
11	DB4		
12	DB5		
13	DB6		
14	DB7		
15	+	LED	ARRAY
16	-	LED	

NOTES:

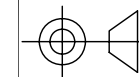
1. ALL DIMENSIONS IN MM
2. REFER TO MODULE PRODUCT SPECIFICATION FOR SPECIFIC CONFIGURATIONS AND BILL MATERIALS

TOLERANCE		REV: -	
>0~6	±0.10	>120~300	±0.50
>6~30	±0.20	>300~500	±0.80
>30~120	±0.30	>500	±1.20
// ⊥ ◎ ±0.10; ANGLE: ±3.0°		SHEET: 1 OF 1	
		SCALE:	UNITS
		N.T.S.	MM
		APPROVALS	DATE
		DWN Maggie	Jan-04
		CHK	
		APP	



广州市龙宇电子有限公司
Kingtronics Display Technologies Ltd., Co.

DRAWING NO:
242AMOD



MODEL NUMBER :
KM242A
DATE:
04-Jan-2005

DO NOT SCALE THIS DRAWING. PROJECTION