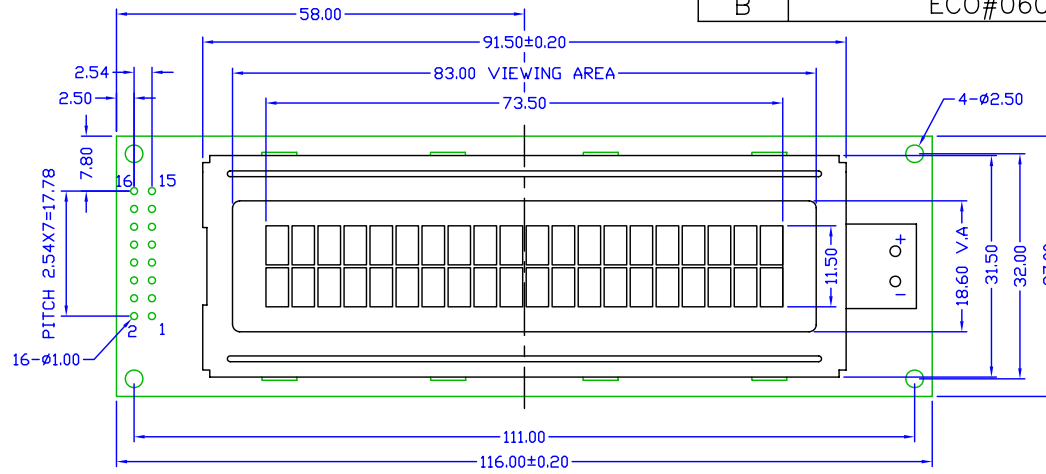
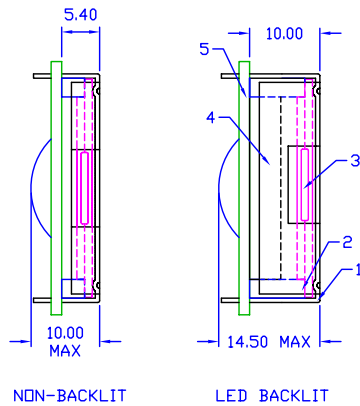
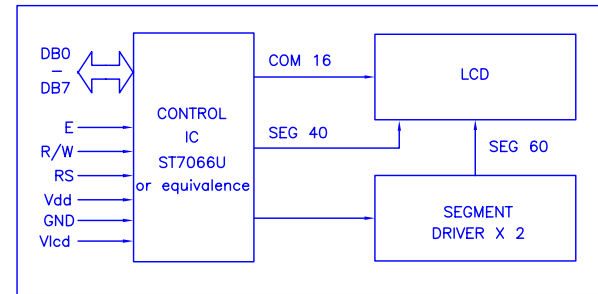
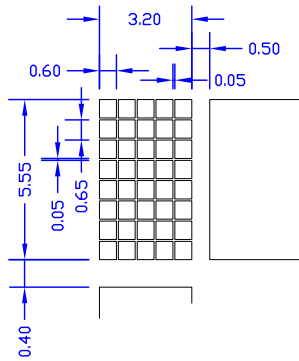


REV.	DESCRIPTION	BY	DATE
-	RELEASED	P.L	05/20/05
A	ECO#0061	Lina	12/07/05
B	ECO#060212	Lina	02/16/06



CONNECTOR		PINOUT	
PIN#	SYMBOL	FUNCTIONS	
1	V <sub>SS</sub>	0V	POWER SUPPLY
2	V <sub>DD</sub>	+5V	
3	V <sub>LS</sub>		
4	RS	H: DATA INPUT L: INSTRUCTION INPUT	
5	R/W	H: READ L: WRITE	
6	E	ENABLE SIGNAL	
7	DB0	DATA BUS LINES	
8	DB1		
9	DB2		
10	DB3		
11	DB4		
12	DB5		
13	DB6		
14	DB7		
15	+	LED	ARRAY
16	-	LED	



5	202BPCB	PCB ASSEMBLY	1	FR4	
4	202BLED-X	BACKLIGHT	1		
3	202BLCD-X	LCD DISPLAY	1		
2	202BZBR-X	ZEBRA	2		
1	202BBZL-X	BEZEL	1	COLD ROLLED STEEL	
Item	Drawing No.	Name	Qty.	Spec/Material	Notes

NOTES:

- ALL DIMENSIONS IN MM
- REFER TO MODULE PRODUCT SPECIFICATION FOR SPECIFIC CONFIGURATIONS AND BILL MATERIALS
- 所有零件及包装材料需符合欧盟 RoHS 标准.

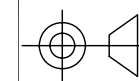
TOLERANCE			
>0~6	±0.10	>120~300	±0.50
>6~30	±0.20	>300~500	±0.80
>30~120	±0.30	>500	±1.20
// ⊥ ◎ ±0.10; ANGLE: ±3.0°			

REV: B		
SHEET: 1 OF 1		
SCALE: N.T.S.	UNITS MM	
APPROVALS		DATE
DWN	Lina	Feb-16
CHK		
APP		



广州市龙宇电子有限公司  
Kingtronics Display Technologies Ltd., Co.

DRAWING NO:  
202BMOD



MODEL NUMBER :  
KM202B  
DATE:  
16-Feb-2006

DO NOT SCALE THIS DRAWING. PROJECTION