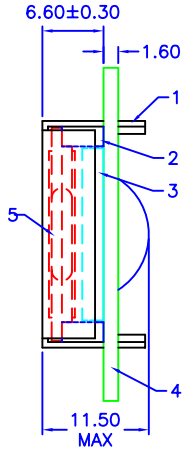
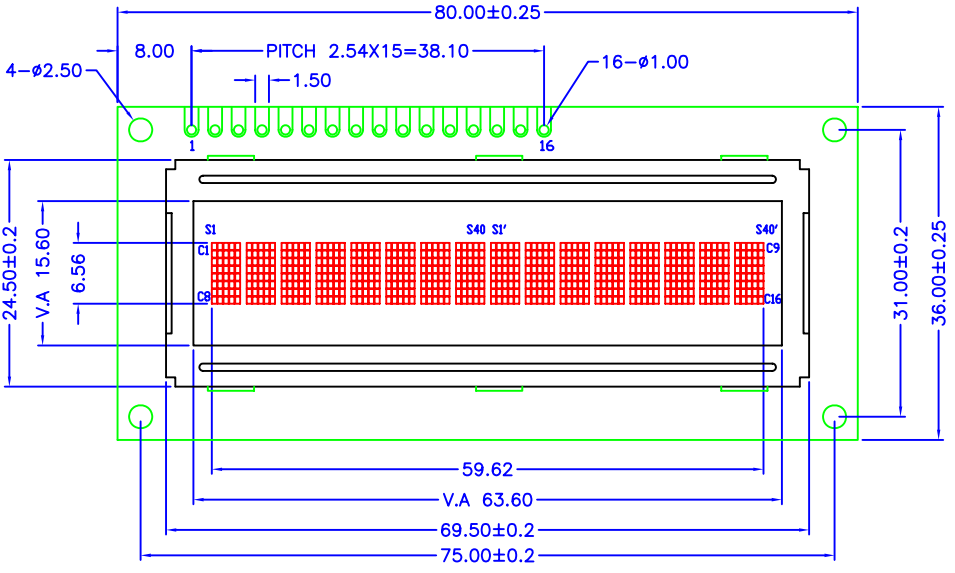
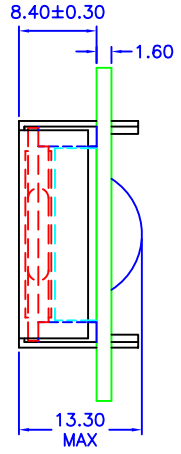


REV.	DESCRIPTION	BY	DATE
-	RELEASED	Lina	05/05/04
A	ECO#040304	Lina	04/05/05

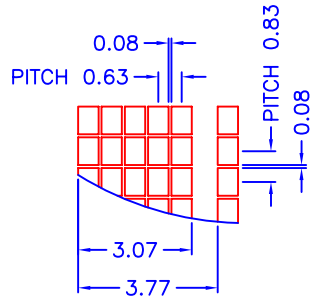
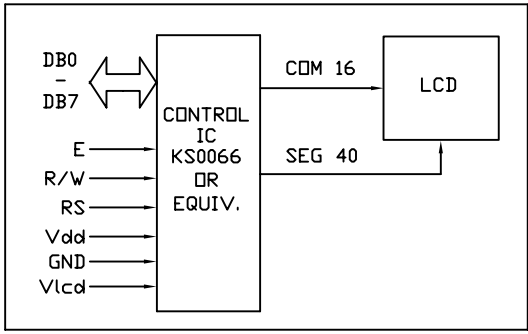


SIDE LED B/L



BOTTOM LED B/L

CONNECTOR		PINOUT	
PIN#	SYMBOL	FUNCTIONS	
1	V <sub>SS</sub>	0V	POWER SUPPLY
2	V <sub>DD</sub>	+5V	
3	V <sub>LCD</sub>		
4	RS	H: DATA INPUT L: INSTRUCTION INPUT	DATA BUS LINES
5	R/W	H: READ L: WRITE	
6	E	ENABLE SIGNAL	
7	DB0		
8	DB1		
9	DB2		
10	DB3		
11	DB4		
12	DB5		
13	DB6		
14	DB7		
15	+	LED/EL (+)	
16	-	LED/EL (-)	



NOTES:  
 1. ALL DIMENSIONS ARE MILLIMETRE  
 2. REFER TO MODULE PRODUCT SPECIFICATION FOR SPECIFIC CONFIGURATIONS AND BILL MATERIALS

5	161ALCD	LCD PANEL	1	STN	
4	161APCB	PCB LAYOUT	1	1.60±0.13mm FR4	
3	161ALED/-1	LED BACKLIGHT	1	YELLOW-GREEN	
2	161AZBR/+1	ZEBRA	2		
1	161ABZL/-1	BEZEL	1	COLD ROLLED STEEL	
Item	Drawing No.	Name	QTY.	Spec/Material	Notes

TOLERANCE	
>0~6 ±0.10	>120~300 ±0.50
>6~30 ±0.20	>300~500 ±0.80
>30~120 ±0.30	>500 ±1.20
// ⊥ ◎ ±0.10; ANGLE: ±3.0°	

REV: A	
SHEET: 1 OF 1	
SCALE: N.T.S.	UNITS: MM
APPROVALS	DATE
DWN Lina	Apr-05
CHK	
APP	

DRAWING NO: 161AMOD	PROJECTION	MODEL NUMBER : KM161A
DO NOT SCALE THIS DRAWING.		DATE: Apr-05-2005