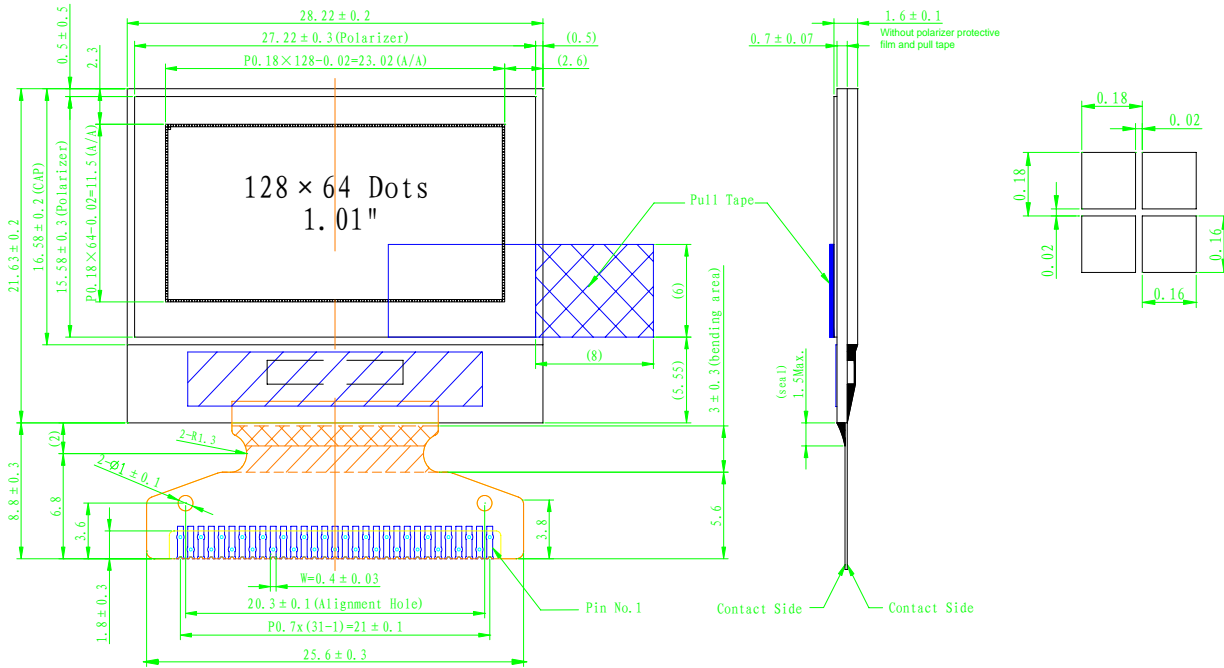


1. MECHANICAL DIMENSION

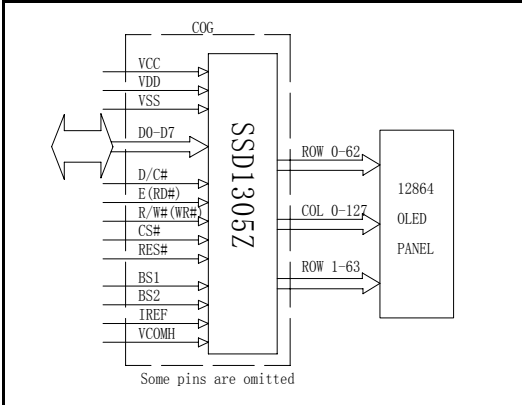


Display Color:White

2. MECHANICAL DATA

ITEM	SPECIFICATION	UNIT
Diagonal A/A size	1.01	inch
No. of Dots (W×H)	128×64	--
Dot Size(W×H)	0.16×0.16	mm ²
Dot Pitch(W×H)	0.18×0.18	mm ²
Active Area(W×H)	23.02×11.5	mm ²
Panel Size(W×H)	28.22×21.63	mm ²
Thickness	1.6	mm

4. BLOCK DIAGRAM



5. ABSOLUTE MAXIMUM RATINGS

PARAMETER	SYMBOL	MIN	MAX	UNIT
Logic Supply Voltage	VDD	-0.3	4	V
Operating Voltage	VCC	0	16	V
Operating Temp.	Top	-30	70	°C
Storage Temp.	Tstg	-30	80	°C

6. ELECTRICAL CHARACTERISTICS

PARAMETER	SYMBOL	MIN	TYP.	MAX	UNIT
Logic Supply Voltage	VDD	2.4	3	3.5	V
OLED Drive Voltage	VCC	11.5	12	12.5	V

3. PIN CONFIGURATION

NO.	SYMBOL	DESCRIPTION															
1	NC	No Connection.															
2	VCC	OLED drive voltage.															
3	VCOMH	Connected a capacitor to VSS.															
4	IREF	Connected a resistor to VSS(Set the current at 10uA).															
5-12	D7-D0	Data bus.															
13	E(RD#)	6800: Enable (E); 8080:Read.															
14	R/W#(WR#)	6800: Read or Write I; 8080: Write.															
15	D/C#	H:Data; L :Instruction code.															
16	RES#	Reset,active low															
17	CS#	Chip Select,active low.															
18	NC	No Connection.															
19	BS2	These are MCU interface input selection pins.															
		<table border="1"> <thead> <tr> <th></th> <th>I²C</th> <th>6800</th> <th>8080</th> <th>SPI</th> </tr> </thead> <tbody> <tr> <td>BS1</td> <td>1</td> <td>0</td> <td>1</td> <td>0</td> </tr> <tr> <td>BS2</td> <td>0</td> <td>1</td> <td>1</td> <td>0</td> </tr> </tbody> </table>		I ² C	6800	8080	SPI	BS1	1	0	1	0	BS2	0	1	1	0
	I ² C	6800	8080	SPI													
BS1	1	0	1	0													
BS2	0	1	1	0													
20	BS1																
21	VDD	Power supply.															
22	NC	No Connection.															
23	NC	No Connection.															
24	NC	No Connection.															
25	NC	No Connection.															
26	NC	No Connection.															
27	NC	No Connection.															
28	NC	No Connection.															
29	NC	No Connection.															
30	VSS	Ground.															
31	NC	No Connection.															

7. ELECTRO-OPTICAL CHARACTERISTICS

ITEM	MIN	TYP.	MAX	UNIT
Brightness	80	100	--	cd/m ²
Power Consumption		110		mW

*Section 7 :For reference only