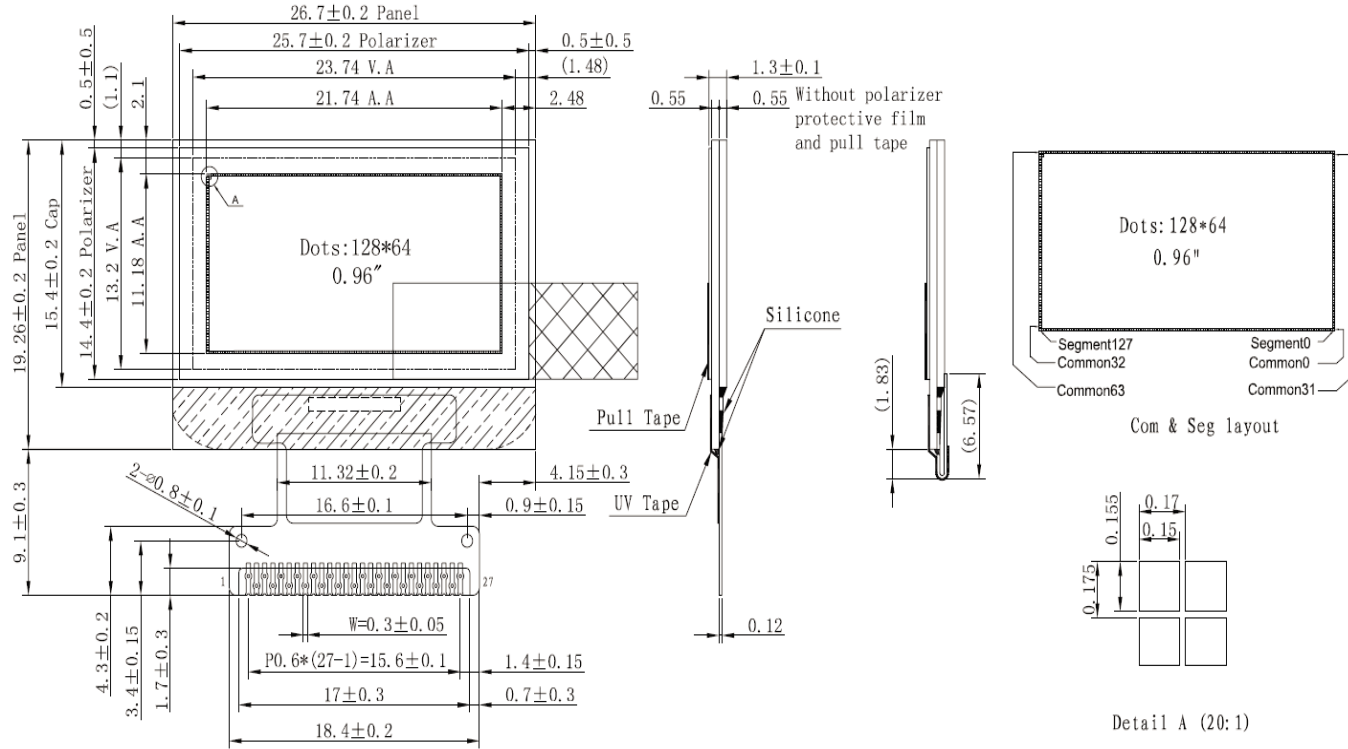


4 Mechanical Drawing

如本印章非红色, 则表明该文件为非受控版本, 不会受到控制和更新. 请使用受控文件.
分发号:

受控章

Rev.	Date	Note
1	2009. 07. 30	Primary
2		



Specification

1. Display: OLED(Blue)
2. Format: 128*64
3. Driver IC: SSD1308Z
4. General Tolerance: ±0.3
5. Operate temp. :-20°C~70°C
Storage temp. :-30°C~80°C
6. Duty: 1/64
7. RoHS Compliant

Customer Approval Signature	Part Name	Module Ass'y	Date	Rev.	Unit	Sheet	 3rd Angle Projection
	Project Code		2009. 07. 30	01	mm	1/1	
	Part No.		DES' D BY	CHK' D BY	CHK' D BY	APPROVED	

Pin Assignment	
NO.	SYMBOL
1	NC
2	VSS
3	NC
4	NC
5	NC
6	NC
7	NC
8	VDD
9	BS1
10	BS2
11	CS#
12	RES#
13	D/C#
14	R/W#
15	E
16	VCOMH
17	VCC
18	D0
19	D1
20	D2
21	D3
22	D4
23	D5
24	D6
25	D7
26	IREF
27	NC