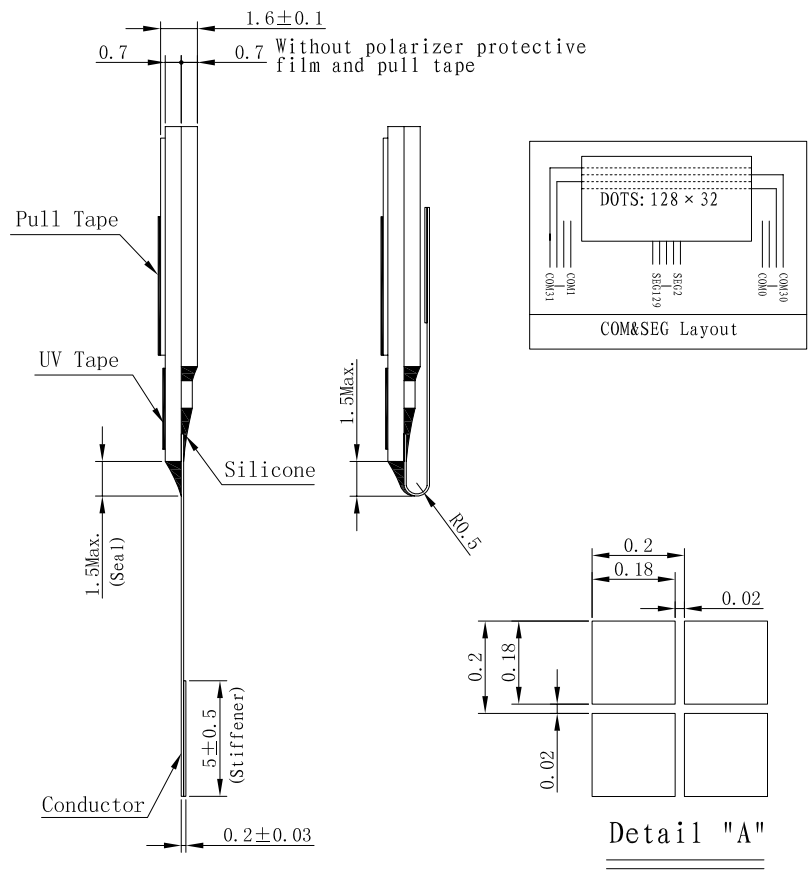
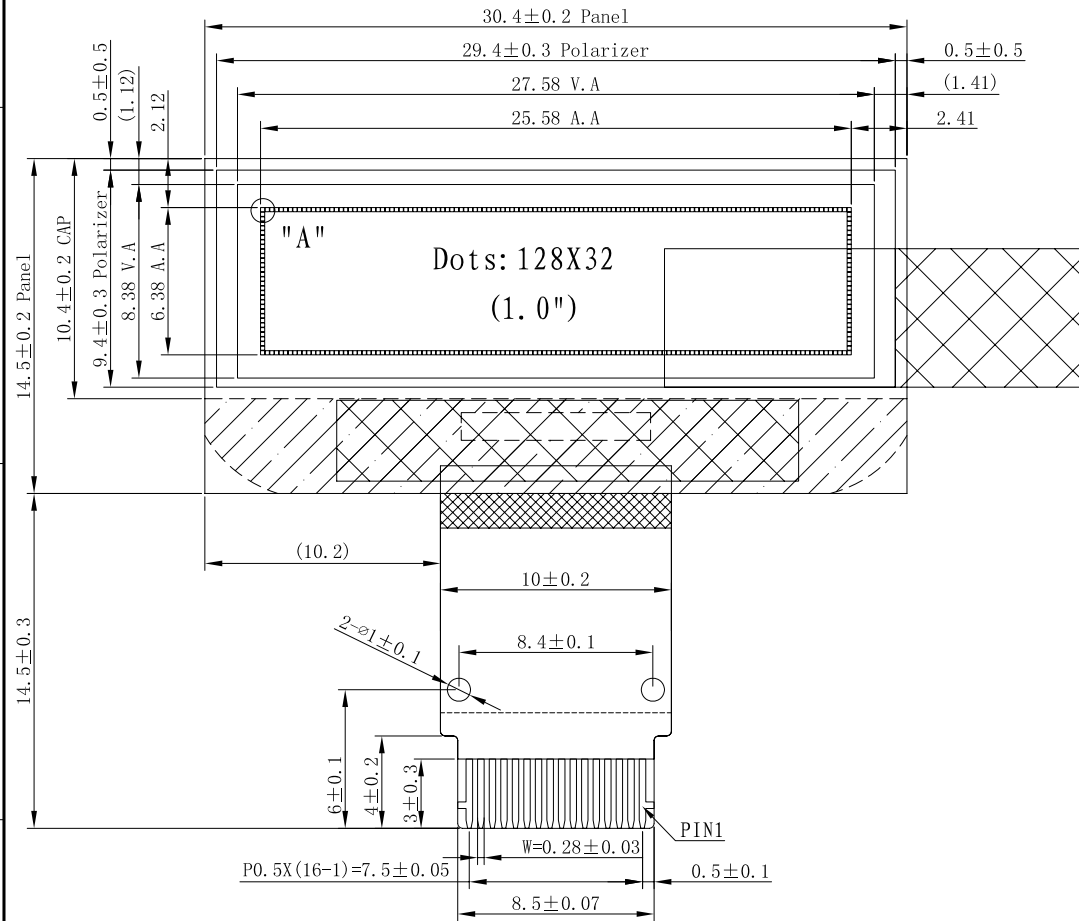


如本印章非红色, 则表明该文件为非受控版本, 不会受到控制和更新. 请使用受控文件.  
分发号:

受控章

| Rev. | Date       | Note    |
|------|------------|---------|
| △1   | 2009.06.02 | Primary |
| △2   |            |         |



| Pin Assignment |        |
|----------------|--------|
| NO.            | SYMBOL |
| 1              | NC     |
| 2              | VSS    |
| 3              | VCC    |
| 4              | VCOMH  |
| 5              | IREF   |
| 6              | D2     |
| 7              | D1     |
| 8              | D0     |
| 9              | D/C#   |
| 10             | RES#   |
| 11             | CS#    |
| 12             | BS1    |
| 13             | VDDIO  |
| 14             | VDD    |
| 15             | VSS    |
| 16             | NC     |

- Specification:
1. Display: OLED(White)
  2. Format: 128\*32
  3. Driver IC: SSD1305Z
  4. DUTY: 1/32
  5. Operate Temp: -30° C ~ 70° C  
Storage Temp: -30° C ~ 80° C
  6. General Tolerance: ± 0.3
  7. ROHS Compliant

|                             |              |              |            |          |          |          |
|-----------------------------|--------------|--------------|------------|----------|----------|----------|
| Customer Approval Signature | Part Name    | Module Ass'y | Date       | Rev.     | Unit     | Sheet    |
|                             | Project Code | 00075        | 2009.06.02 | 01       | mm       | 1/1      |
|                             | Part No.     | 00075-MA1-A  | DES'D BY   | CHK'D BY | CHK'D BY | APPROVED |

