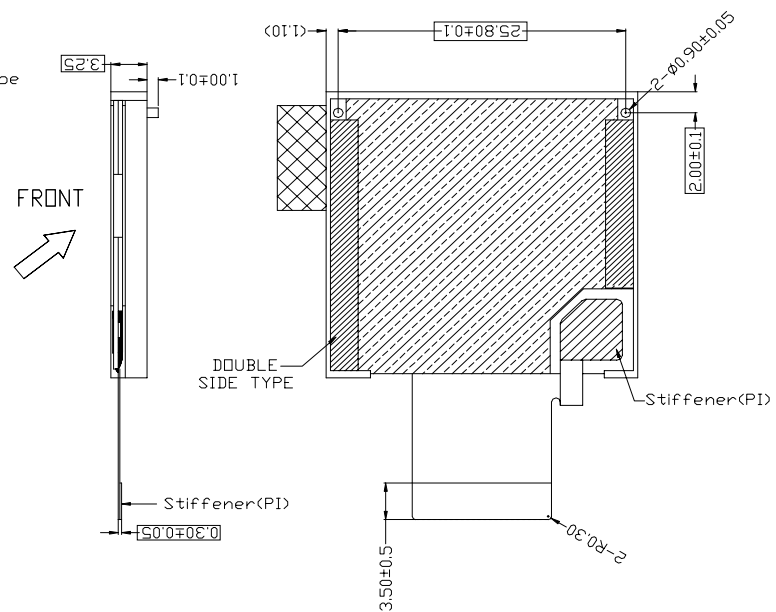
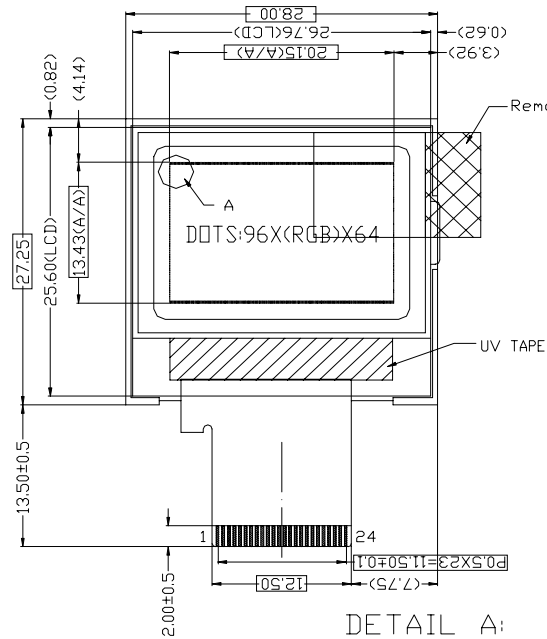


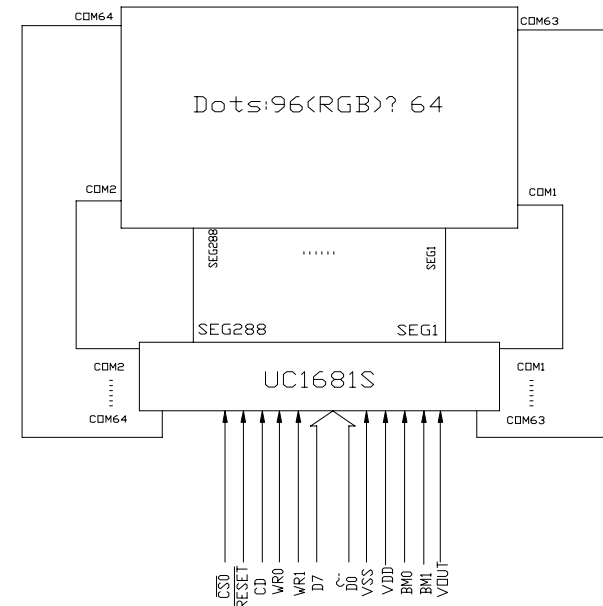
OUTLINE DIMENSION:



PIN DESCRIPTION

NO.	SYMBOL
1	A
2	K
3	D7
4	D6
5	D5
6	D4
7	D3
8	D2
9	D1
10	D0
11	NC
12	RST
13	WR0
14	RD
15	RS
16	CS0
17	VSS
18	VDD
19	VB0+
20	VB1+
21	VB1-
22	VB0-
23	VLCD
24	NC

BLOCK DIAGRAM:



- 1 DISPLAY TYPE : CSTN
- 2 VIEWING DIRECTION: 6:00
- 3 POLARIZER MODE: TRANSMISSIVE/NEGATIVE
- 4 DRIVE METHOD :1/64 DUTY 1/9 BIAS
- 5 LCD OPERATION VOLTAGE: 8.8V
- 6 RECOMMEND VDD=3.0V
- 7 OPERATION TEMP :-20°C—70°C
- 8 STORAGE TEMP:-30°C—80°C
- 9 IC UC1681S
- 10 BACKLIGHT:LED(WHITE) ,1 chip, If=20mA
- 11 UNMARKED TOLERANCE:±0.3mm
- 12 UNMARKED ANGLE RADIUS:R=0.5mm