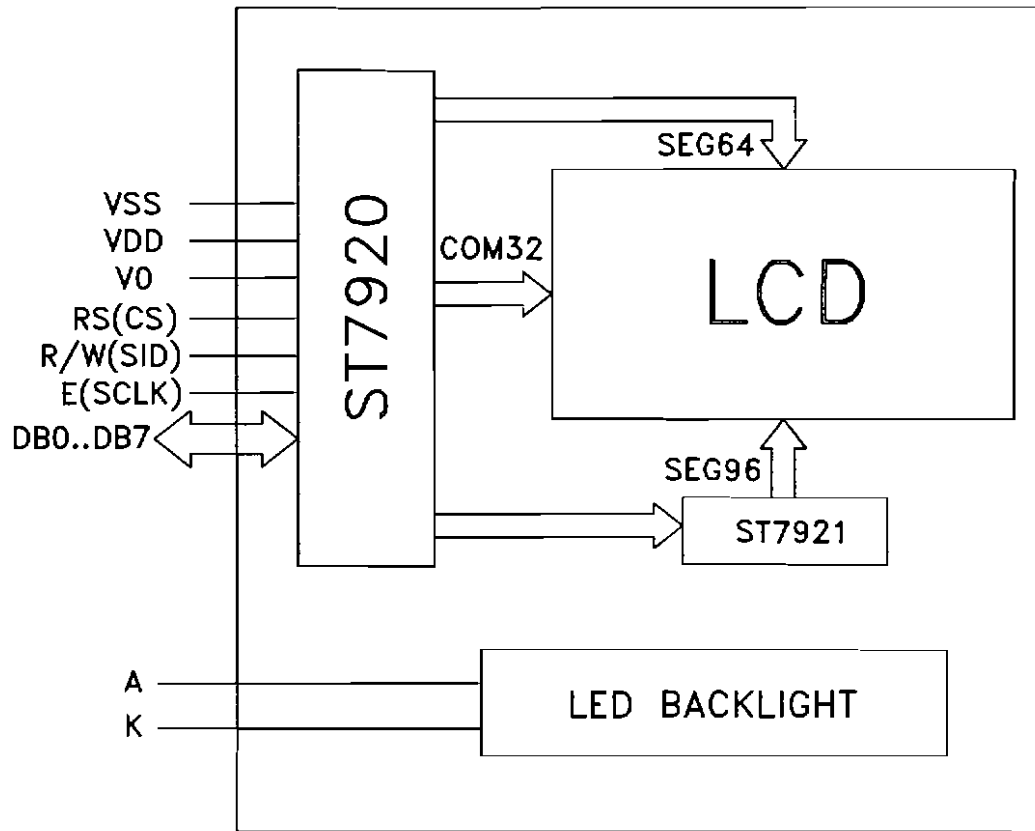


SCALE: 20:1

TOLERANCE IF NOT SPECIFY ±0.2mm

CUSTOMER APVL	CUSTOMER	DATE	
DRAWN		SCALE	TITLE
DFTG CHK		UNIT	MI16032B-G
ENGR CHK		mm	MODEL
APPROVAL			
MULTI-INNO TECHNOLOGY CO.,LTD.			DWG NO
			PAGE
			1/1



PIN NO.	SYMBOL	FUNCTION
1	VSS	Ground
2	VDD	Supply voltage for logic
3	V0	Operating voltage for LCD
4	R/S(CS)	H:Data L:Instruction Code
5	R/W(SID)	H:Read L:Write
6	E(SCLK)	Enable signal
7	DB0	Data bus
8	DB1	
9	DB2	
10	DB3	
11	DB4	
12	DB5	
13	DB6	
14	DB7	
15	A	Backlight anode(+5V)
16	K	Backlight cathode(0V)

CUSTOMER APVL	CUSTOMER	DATE	
DRAWN		SCALE	TITLE
DFTG CHK		UNIT	MI16032B-G
ENGR CHK		mm	MODEL
APPROVAL			
MULTI-INNO TECHNOLOGY CO.,LTD.			DWG NO
			PAGE 1/1

1.General specification

Display mode : 160 X 32 Dots Graphic COB LCD Module
Interface : 4-bit or 8-bit parallel or serial
Driving method : 1/32 duty , 1/6 bias

2.Electrical specification

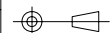
Supply voltage for logic(VDD) : 5.0V
Input voltage for LCD (VO) : 5.0V

3.Mechanical specification

Dot size[mm] : 0.55(L)x0.56(W)
Dot pitch[mm] : 0.59(L)x0.6(W)
Viewing area[mm] : 99.0(L)x24.0(W)
Module dimension[mm] : 122.0(L)x44.0(W)x13.6MAX.(H)

4.Backlight specification

Backlight type : Array/Side-lited LED backlight
Backlight color : YELLOW GREEN/WHITE
Backlight voltage : 5.0V@240mA/5.0V@90mA

CUSTOMER APVL	CUSTOMER	DATE	
DRAWN	SCALE	TITLE	
DFTG CHK	UNIT	MI16032B-G	
ENGR CHK	mm		
APPROVAL		MODEL	
MULTI-INNO TECHNOLOGY CO.,LTD.			DWG NO
			PAGE
			1/1