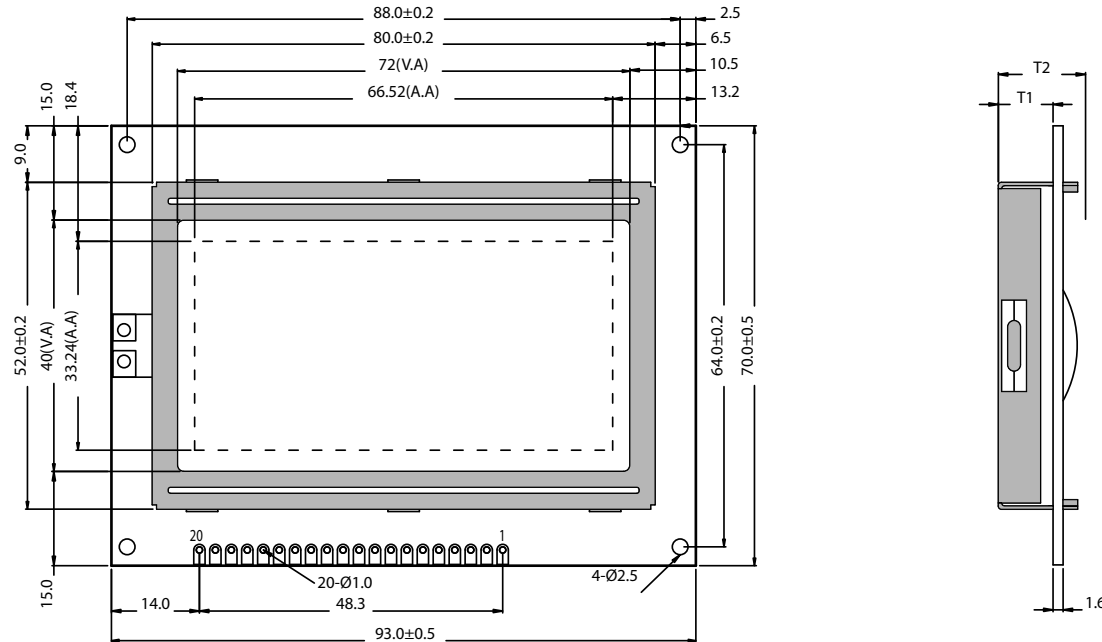
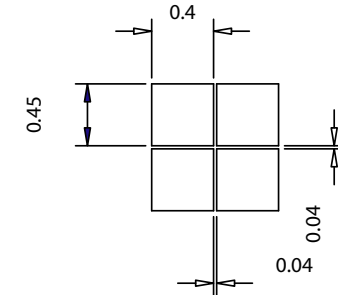


PIN NO	Symbol
1	VSS
2	VDD
3	V0
4	RS
5	R/W
6	E
7	DB0
14	DB7
15	CS1
16	CS2
17	RST
18	VEE
19	A
20	K



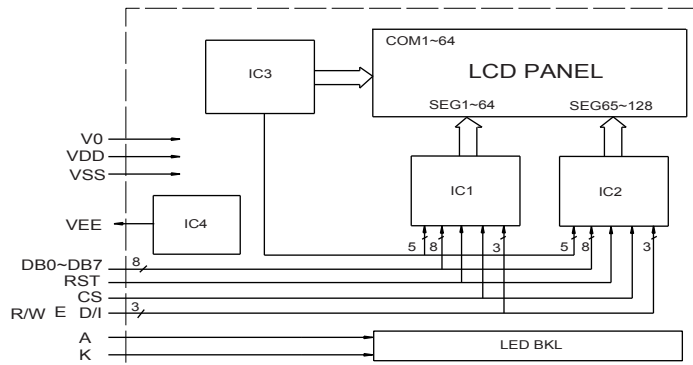
DOTS DETAIL



Feature

- 128x64dots display
- Built-in controller (S6B0108)
- +5V power supply
- 1/64 duty cycle; 1/9 bias;
- STN or FSTN mode
- With LED backlight or EL backlight

Block diagram:



Absolute Maximum Rating

Item	Symbol	Standard			Unit
		Min	Typ	Max	
Input voltage	VI	-0.3	-----	5.5	V
Power supply	VDD-VSS	-0.3	-----	VDD	

Electronical characteristics

Item	Symbol	Condition	Standard			Unit	
			Min	Typ	Max		
Input voltage	VDD	+5V	4.7	5.0	5.5	V	
		+3.3V	---	---	---	V	
		Recommended LCD driving voltage for normal temp version module	-20°C	---	---	---	V
			0°C	---	9.8	---	
			25°C	---	9.5	---	
Supply current	IDD	VDD=5V	---	7.2	8	mA	
		70°C	---	---	---		
LED forward voltage	VF	25°C	-----	4.2	5.0	V	
LED forward current	IF	25°C	-----	360	-----	mA	
EL power supply current	IEL	VEL=110V AC 400Hz	-----	---	---	mA	

Mechanical thickness

LCD module thickness	T1	T2	UNIT
Without or EL backlight	4.6	9.0	mm
With edge LED backlight	---	---	mm
With LED bottom backlight	8.7	13.0	mm

Mechanical data

Item	Standard	Unit
Module dimension	93.0x70.0	mm
Viewing area	72.0x40.0	mm
Dot size	0.48x0.48	mm
Dot pitch	0.52x0.52	mm