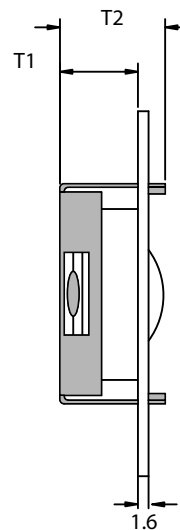
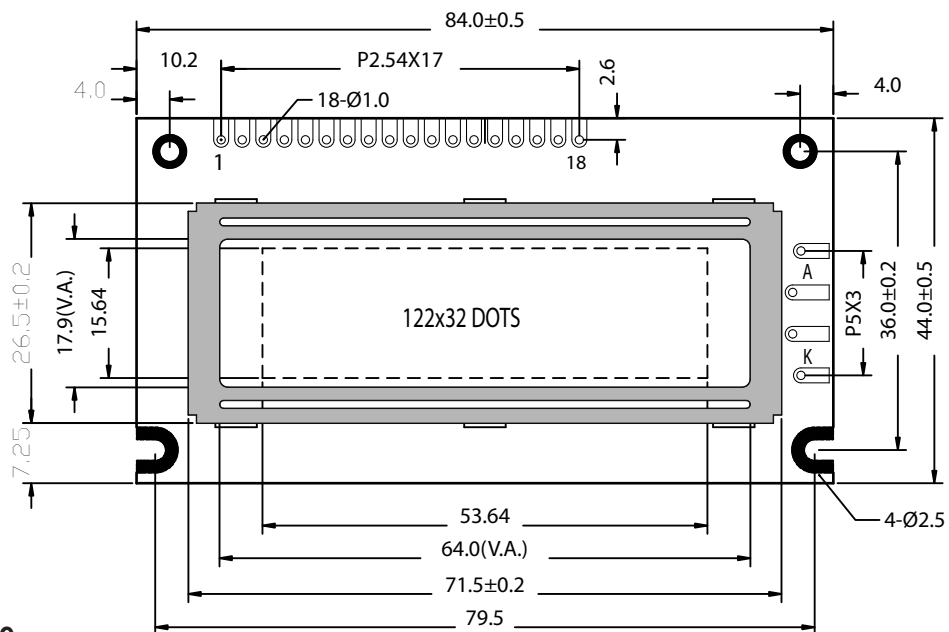
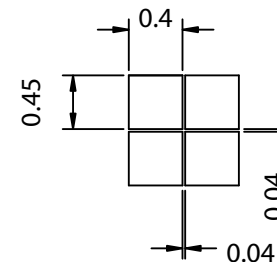


PIN NO	Symbol
1	VSS
2	VDD
3	V0
4	RS
5	R/W
6	E
7	DB0
8	DB1
9	DB2
10	DB3
11	DB4
12	DB5
13	DB6
14	DB7
15	A
16	K



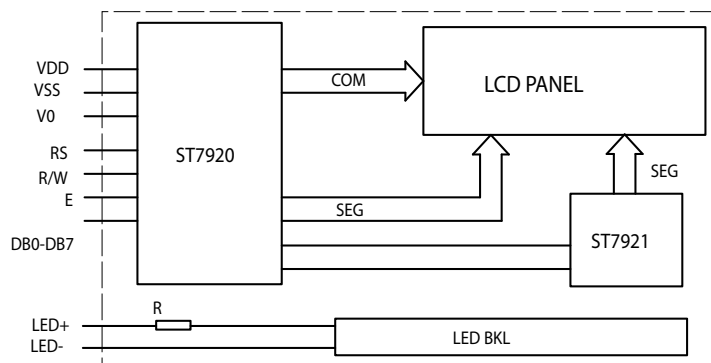
DOTS DETAIL



Feature

- 122x32dots display
- Built-in controller (ST7920)
- +5V power supply; Also available for 3.0V
- 1/32 duty cycle; 1/6 bias;
- STN or FSTN mode
- With LED backlight or EL backlight

Block diagram:



Mechanical thickness

LCD module thickness	T1	T2	UNIT
Without or EL backlight	4.8	10.0	mm
With edge LED backlight	---	---	mm
With LED bottom backlight	9.4	15.0	mm

Mechanical data

Item	Standard	Unit
Module dimension	84.0x44.0	mm
Viewing area	64.0x17.9	mm
Dot size	0.40x0.45	mm
Dot pitch	0.44x0.49	mm

Absolute Maximum Rating

Item	Symbol	Standard			Unit
		Min	Typ	Max	
Input voltage	VI	-0.3	-----	5.5	V
Power supply	VDD-VSS	-0.3	-----	VDD	

Electronical characteristics

Item	Symbol	Condition	Standard			Unit	
			Min	Typ	Max		
Input voltage	VDD	+5V	4.7	5.0	5.5	V	
		+3.3V	---	---	---	V	
		Recommended LCD driving voltage for normal temp version module	-20°C	---	---	---	V
			0 °C	---	4.8	---	
			25°C	---	4.6	---	
LED forward voltage	VF	25°C	-----	4.2	5.0	V	
		50°C	---	4.4	---		
LED forward current	IF	25°C	-----	120	-----	mA	
EL power supply current	IEL	VEL=110V AC 400Hz	-----	---	---	mA	