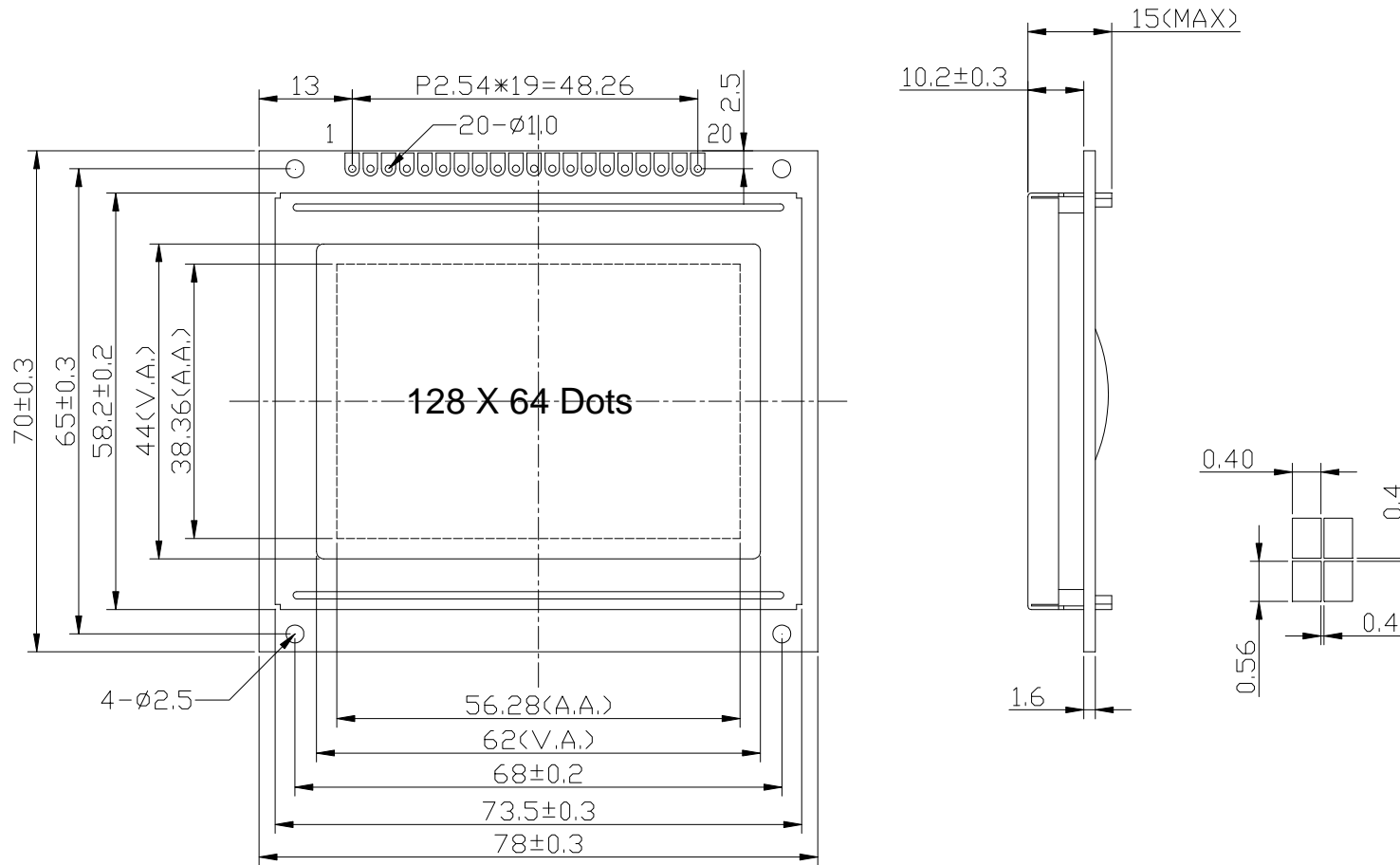


DF-GLN0268---L1



Feature

1. 128 x 64 dots matrix graphic;
2. The LCD uses the S6B0108B Series LCD Driver from SUNPLUS ,or equivalent controller.
3. 1/64 Duty cycle, 1/9 Bias.
4. Display Mode & Backlight Variations.
5. ROHS compliant.

Pin connections

| Pin no | 1 | 2 | 3 | 4 | 5 | 6 | 7 | 8 | 9 | 10 | 11 | 12 | 13 | 14 | 15 | 16 | 17 | 18 | 19 | 20 |
|--------|-----|-----|----|----|----|---|-----|-----|-----|-----|-----|-----|-----|-----|-----|-----|-----|-----|------|------|
| Symbol | VSS | VDD | V0 | RS | RW | E | DB0 | DB1 | DB2 | DB3 | DB4 | DB5 | DB6 | DB7 | CS1 | CS2 | RST | VEE | LED+ | LED- |