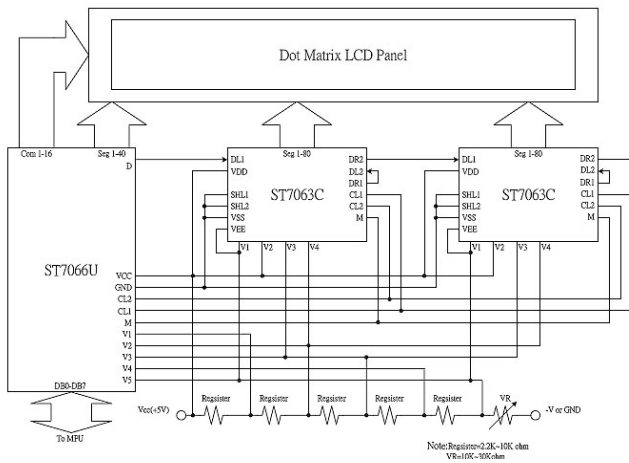


**MI2004J**

**FEATURE:**

- Display Format:** 20 Characters×4 Lines
- Driving Method:** 1/16 Duty,1/5 Bias
- Display Type:** STN, Yellow-Green Background, Positive Transflective
- Viewing Direction:** 6 O'clock
- Driver IC:** ST7066U and ST7063C or Equivalent
- Backlight Type:** Y/G Bottom LED
- OPERATING TEMP.:** -20°C ---- 70°C
- STORAGE TEMP.:** -30°C ---- 80°C

**BLOCK DIAGRAM:**



**ELECTRICAL CHARACTERISTICS :**

Item	Symbol	Test Condition	Standard Value			Unit
			Min	Typ	Max	
Supply Voltage (Logic)	V <sub>DD</sub> -V <sub>SS</sub>		2.7	5.0	5.5	V
LCD Voltage	VLCD		3.0	--	11	V
Supply Current	I <sub>DD</sub>	V <sub>DD</sub> =5.0V	--	0.3	0.6	mA
LED Forward Voltage	V <sub>F</sub>		4.0	4.2	4.4	V
LED Forward Current	I <sub>F</sub>		--	150	200	mA

**EXTERNAL DIMENSIONS :**

Pin	1	2	3	4	5	6	7 -- 14	15	16
Symbol	V <sub>SS</sub>	V <sub>DD</sub>	V <sub>0</sub>	RS	R/W	E	DB0~DB7	VLED+	VLED-

